

AVK REPICO® COUPLINGS AND REPAIR COUPLINGS



REPICO®
GET CONNECTED

Expect... **AVK**



The AVK Group is a privately-owned industrial group that currently comprises 100+ companies. AVK's core business is the production of valves, hydrants and accessories for the industrial and firefighting markets, water & gas distribution networks and sewage treatment. AVK has built up strong brands supplying valves and controls for industrial water treatment, chemical processing, marine, dams & reservoirs, HVAC, and other industrial sectors. AVK products are designed according to international standards and are sold in more than 100+ countries worldwide. When dealing with the AVK Group you can expect quality, innovation, reliability, sustainability and long lifetime service.

AVK Industrial Nederland BV

AVK Industrial Nederland is a subsidiary of AVK Nederland BV that was founded in 1980 as the first foreign AVK sales company worldwide. Our offices, warehouses and factory are situated in Vaassen - NL. The Dutch market is divided into the segments (general) industry, firefighting, (industrial) water, gas and sewage treatment. Especially for the industrial market AVK Industrial Nederland can manufacture and deliver both highly specialized engineered products as standard products, that meet the highest standards of safety and durability as required within these segments. Our ambition is to exceed our customers' demands and expectations. "Expect... AVK" means to strive for increased customer benefits!

Repico®

At our production facility AVK Rewag in Vaassen – NL we added in recent years the highly qualified Repico® products to our extensive product range. With the Repico® stainless steel coupling you can quickly and easily create a tensile-resistant or flexible connection between two pipes. In case of a leakage, you can apply the Repico® repair coupling, with only a few minutes installation time. Depending on the application, you can choose from different rubber qualities such as EPDM, NBR, Silicone or FKM. Customization is also possible if desired.



Above: Rewag factory of AVK Nederland BV where REPICO® is produced
Right: Robotic welding in the Rewag factory

CONTENTS

	Page
Repico®, the basic principles.....	4
Your product benefits.....	5
Segments and applications.....	6
Approvals and certificates	7
Product overview	8
Installation examples.....	9
REPICO®G- Grip coupling	10-11
REPICO®GP- Grip Plastic coupling	12-13
REPICO®S- Slip coupling.....	14-15
REPICO®SD- Slip coupling two locks	16-17
REPICO®SG- Slip Grip coupling.....	18-19
REPICO®RH- Hinge repair coupling.....	20-21
REPICO®RSD- Repair coupling two locks.....	22-23
REPICO®RE- Repair coupling for elbows.....	24-25
REPICO®, Engineered products	26
REPICO®, Accessories.....	27
Installation conditions	28-30
Tables.....	31-34
Sustainability, CSR and ISO.....	35

REPICO® - THE BASIC PRINCIPLES

With Repico® couplings you can join pipes simple, fast and reliable without flanging, threading, grooving or welding. The Grip- and Slip type couplings are the basic configurations for the Repico® pipe coupling system.

Repico®G – Grip type coupling (axially restrained)



The Repico® grip type anchors in the pipe wall through grip rings, restraining the axial movement of the pipe in the coupling. If the axial tensile load on the pipe increases due to increasing internal pressure, the teeth engage deeper into the pipe surface. Sealing to the pipe wall is done by the rubber sealing material inside the coupling.

Repico®S – Slip type coupling (axially flexible/non axially restrained)



The Repico® slip type seals to the pipe wall by the rubber sealing material. As it has no grip rings the pipes need to be restrained outside the coupling. The expansion will be compensated through the allowable movement within the coupling. Depending on the size and application the Repico® slip couplings are also available in 2-, 3- or 4 lock versions.

Progressive sealing and anchoring

All seals used in our Repico® couplings and repair couplings have a progressive sealing effect, due to the wedge-shaped structure

of the seals. The grip rings in our Repico® Grip couplings assure you of a progressive anchoring of the pipes, as the teeth of the grip ring “bite” into the pipe wall.

Repico®G – Grip type coupling



Before tightening



After tightening

Repico®S – Slip type coupling



Before tightening



After tightening

The Repico® SG (Slip/Grip type) is a combination of the two different types, one side slip, the other side grip.

AVK also offers a broad range of Repico® repair couplings. The main differences of Repico® repair couplings compared to a

Repico® S - Slip coupling is that the rubber seal is splitted. The split seal allows the coupling to be put around the pipe and has the same progressive sealing as the Repico® couplings. The Repico® repair couplings are based on two basic types: hinged or with locks.

YOUR PRODUCT BENEFITS

Universally applicable

- To be used for any pipe material
- Compatible with almost all pipe jointing systems
- Connects pipes of the same or different materials

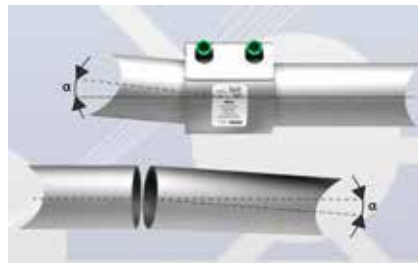


Easy installation

- Ready-to-install product for simple and quick installation
- No time-consuming preparation of the plain-ended pipes
- Cut pipes to length, centre the coupling and tighten bolts

Economical

- No special installation tools and set-up times
- Quick and reliable pipe repairs with no service interruptions
- Maintenance free, trouble free and long service life

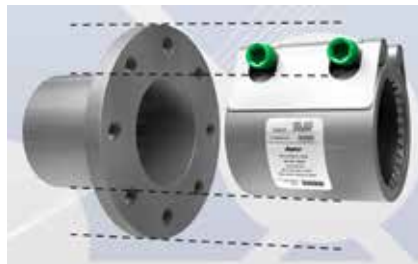


Easy handling

- Detachable and reusable
- Easy and quick alignment and fitting work
- Assembly without fire- and explosion risk
- Lightweight

Durable

- Progressive sealing and anchoring effect
- Corrosion and temperature resistant
- High chemical resistance
- AVK GUMMI seals



Space saving

- Compact design for space saving installation
- Slim pipe isolation, small openings, little space required

Reliable

- Stress free and flexible pipe connection
- Compensates angular deflection and axial movement
- Pressure-resistant and tight, even with imprecise pipe assembly



Safe

- Dampens water hammer, vibrations and structure-borne noise
- No tension transfers, no load fractures
- Resistant against underwater blasts and flexible by collisions

YOUR AVK BENEFITS

One-stop-shop

At AVK we give our customers “one-stop-shop” service. In addition to Repico®, AVK offers a complete range of valves, hydrants, fittings and accessories to fit every need and complying with the highest standards of performance, safety and durability. Our dedicated sales department will be happy to advise and assist you.

10-year warranty

AVK manufactured products are guaranteed against defects in workmanship and material used for a period of 10 years.

AVK GUMMI

AVK's own rubber factory AVK GUMMI manufactures for more than 40 years high performance rubber components for demanding applications. Particularly for the technical and chemical industries, the energy sector, the drinking water sector, the food industry and the healthcare industry. AVK GUMMI is among the world leaders in these areas. The manufacturing system includes control of each rubber compound, full traceability, SPC control, FMEA and an extraordinarily clean production environment.



SEGMENTS AND APPLICATIONS

The installation of a Repico® coupling is simple, fast and reliable. Even under the harshest conditions you can rely on AVK Repico® couplings. The couplings can be used for many different applications.

WATER & GAS

- Water lines
- Gas lines
- Tank lines
- Hydrant lines
- Chemical lines
- Wells
- Drainage lines
- Airation lines
- Sludge lines



INDUSTRY AND GROUNDWORKS

- Firefighting lines
- Cooling lines
- Sanitary lines
- Transport lines
- Ventilation lines
- Utility lines
- Fuel lines
- Penstock lines
- Turbine lines
- Lubrication line

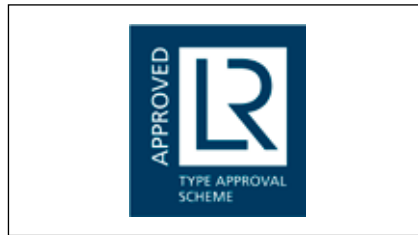
MARINE AND OFFSHORE

- Fire fighting lines
- Sea water cooling systems
- Ballast lines
- Fuel lines
- Vent lines



APPROVALS AND CERTIFICATES

Repico® has several product approvals. Certificates are available on request.





Repico® couplings have several material approvals:
 EPDM: EN 681-1, EG (UBA), W270 (DVGW), BS 6920 (WRAS), XP P 41-250 (ACS) and Hydrocheck (Belgaqua)
 NBR : EN 681-1, EN 682 (DVGW), XP P 41-250 (ACS) en AS/NZS 4020



AVK Nederland BV has several approvals and certificates. They are available on request.



PRODUCT OVERVIEW

Type	Pipe DN, mm	Width	 Pressure PN	 Pressure PN
Couplings				
Repico®G - Grip	15 - 400	60 - 150	42,7 to 16,0	16,0 to 6,0
Repico®GP - Grip Plastic	32 - 300	60 - 150	16,0 to 10,0	
Repico®S - Slip	15 - 600	60 - 150	42,7 to 11,2	16,0 to 4,0
Repico®SD - Slip, 2 locks	50 - 1000	80 - 150	42,7 to 7,2	
Repico®SG - Slip Grip	15 - 300	60 - 150	42,7 to 18,7	16,0 to 7,0
Repair clamps				
Repico®RSD - 2 locks	10 - 1000	60 - 150	42,7 to 7,2	
Repico®RH - Hinged	15 - 600	60 - 150	42,7 to 11,2	
Repico®RE - for elbows	13 - 500	27 - 61	42,7 to 12,0	

Connecting	Metal - Metal	Plastic-Plastic	Metal - Plastic	Axial restrained/ flexible
Couplings				
Repico®G - Grip	v			Axial restrained
Repico®GP - Grip Plastic		v		Axial restrained
Repico®S - Slip	v	v	v	Axial flexible
Repico®SD - Slip, 2 locks	v	v	v	Axial flexible
Repico®SG - Slip Grip	v		v	Axial flexible/ Axial restrained
Repair clamps				
Repico®RSD - 2 locks	v	v		
Repico®RH - Hinged	v	v		
Repico®RE - for elbows	v	v		

Material sealings	EPDM	NBR	FKM (on request)	Silicone (On request)
Temperature range	-30°C up to +110°C	-25°C up to + 80°C	-30°C up to + 250°C	-70°C up to + 200°C
Resistance	Heat Aging Ozone Acidity 2-11 pH	Abrasion Aging Acidity 2-11 pH	Corrosive media	Heat Weather
Medium suggestions	Drinking water Waste water Compressed air Alcohol and solids Hot water Acids	Water Gas Oil Fuel Hydrocarbon fluids Aliphatic or non aromatics	Ozone Oxygen Acids Gas Oil Fuel	Steam

Material specifications	Housing	Lock bars	Bolts	Anchoring
W5 (standard)	AISI316L	AISI316L	316 PTFE	301H
W4 (on request)	AISI304L	AISI304L	304 PTFE	301H

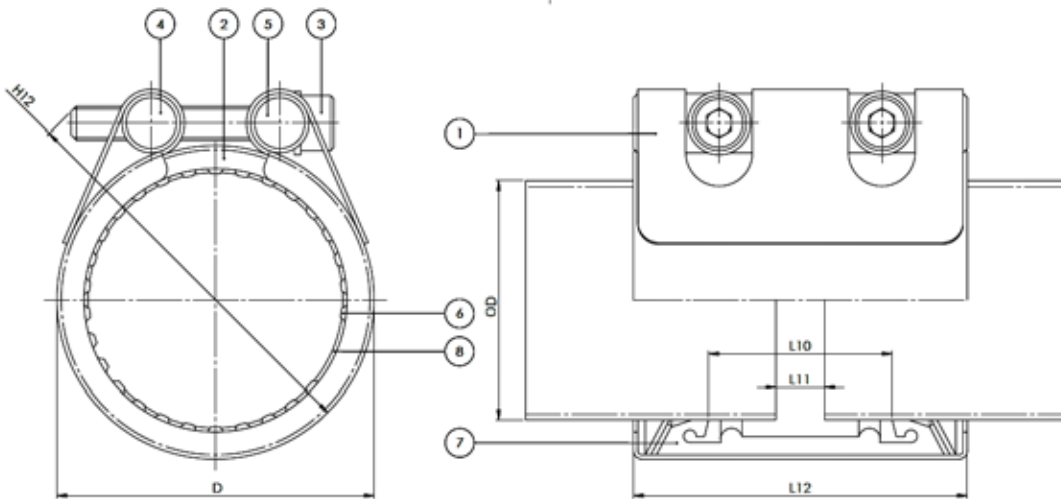
INSTALLATION EXAMPLES



REPICO®G

GRIP COUPLING

Tensile/axial restraint, for all metal pipes, stainless steel 316L



1	Body	Stainless steel 316L
2	Slide plate	Stainless steel 316L
3	Bolt	Stainless steel A4, PTFE coated
4	Bar nut	Stainless steel 316

5	Bar washer	Stainless steel 316
6	Grip segment	Stainless steel 301H
7	Sealing	EPDM, NBR, Silicone or FKM
8	Support ring	Stainless steel 301H

Components may be substituted with equivalent or higher-class materials without prior notification.



On request other Grip type couplings are available:

- Repico® GLP - low pressure version
- Repico® GMP - medium pressure version
- Repico® GF - high pressure version

Please contact our sales department for further details and assistance.

Remarks:

- Follow the fitting/disassembly instructions
- Strip inserts are an optional accessory (see page 27)
- Working pressure for marine application: minimum burst pressure is 4 x PN
- Working pressure for industrial and land bases applications: minimum burst pressure is 1,5 x PN

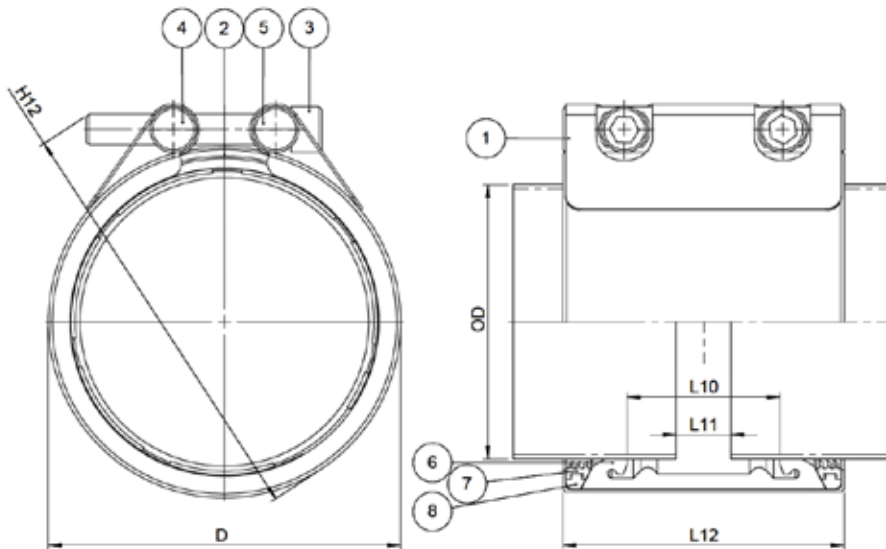
Article number	Pipe DN	Nom. Diam.	Pipe OD		Coupling range (mm)	D (mm)	Working pressure (bar)		Length		Gap L11 (mm)	Torque Nm	Thread M	Allen head mm
			DIN/ISO	Other			Marine SF4	Industry SF1,5	L12 (mm)	L10 (mm)				
			mm	mm										
745-01-0020-CC-D-EE-FF	15			20,0	19,5 - 20,5	29,0	16,0	42,7	60	28	8	7	6	5
745-01-0021-CC-D-EE-FF	15	1/2	21,3	21,7	21,2 - 22,2	31,0	16,0	42,7	60	28	8	7	6	5
745-01-0025-CC-D-EE-FF	20			25,0	24,5 - 25,5	38,0	16,0	42,7	60	28	8	8	8	6
745-01-0027-CC-D-EE-FF	20	3/4	26,9	26,7	26,7 - 27,7	40,7	16,0	42,7	60	28	8	8	8	6
745-01-0028-CC-D-EE-FF	20			28,2	27,5 - 29,0	41,6	16,0	42,7	60	28	8	8	8	6
745-01-0030-CC-D-EE-FF	25			30,0	29,5 - 30,5	43,5	16,0	42,7	60	28	8	8	8	6
745-01-0032-CC-D-EE-FF	25			32,0	31,5 - 32,5	45,5	16,0	42,7	60	28	8	8	8	6
745-01-0034-CC-D-EE-FF	25	1	33,7	33,7	33,0 - 34,6	47,5	16,0	42,7	60	28	8	8	8	6
745-01-0038-CC-D-EE-FF	32			38,0	37,5 - 38,5	51,5	16,0	42,7	60	28	8	15	8	6
745-01-0040-CC-D-EE-FF	32			40,0	39,5 - 41,5	53,5	16,0	42,7	60	28	8	15	8	6
745-01-0042-CC-D-EE-FF	32	1 1/4	42,4	42,7	41,9 - 43,0	56,0	16,0	42,7	60	28	8	15	8	6
745-01-0044-CC-D-EE-FF	32			44,5	44,0 - 45,0	58,0	16,0	42,7	60	28	8	15	8	6
745-01-0048-CC-D-EE-FF	40	1 1/2	48,3	48,6	47,8 - 49,0	62,0	16,0	42,7	60	28	8	15	8	6
745-01-0050-CC-D-EE-FF	40			50,0	49,5 - 51,5	64,5	16,0	42,7	60	28	8	15	8	6
745-01-0054-CC-D-EE-FF	50			54,0	53,4 - 54,6	69,6	16,0	42,7	80	44	8	18	8	6
745-01-0057-CC-D-EE-FF	50			57,0	56,4 - 57,6	72,6	16,0	42,7	80	44	8	18	8	6
745-01-0060-CC-D-EE-FF	50	2	60,3	60,5	59,0 - 61,5	76,0	16,0	42,7	80	44	8	18	8	6
745-01-0063-CC-D-EE-FF	50			63,0	62,4 - 63,6	78,6	16,0	42,7	80	44	8	18	8	6
745-01-0066-CC-D-EE-FF	65			66,8	65,2 - 67,3	82,3	14,0	37,3	80	44	8	18	8	6
745-01-0069-CC-D-EE-FF	65			69,0	68,0 - 70,1	84,6	14,0	37,3	80	44	8	18	8	6
745-01-0073-CC-D-EE-FF	65	2 1/2		73,0	71,5 - 74,1	88,6	14,0	37,3	80	44	8	18	8	6
745-01-0076-CC-D-EE-FF	65		76,1	75,0	75,0 - 77,2	92,0	14,0	37,3	80	44	8	18	8	6
745-01-0079-CC-D-EE-FF	80			79,9	78,8 - 80,8	101,0	14,0	37,3	110	59	15	35	12	10
745-01-0084-CC-D-EE-FF	80			84,0	83,0 - 84,9	105,0	14,0	37,3	110	59	15	35	12	10
745-01-0089-CC-D-EE-FF	80	3	88,9	90,0	87,8 - 91,0	110,0	14,0	37,3	110	59	15	35	12	10
745-01-0101-CC-D-EE-FF	90	3 1/2	101,6	101,6	100,4 - 102,6	123,0	14,0	37,3	110	59	15	35	12	10
745-01-0104-CC-D-EE-FF	100			104,0	103,0 - 104,8	125,0	14,0	37,3	110	59	15	35	12	10
745-01-0106-CC-D-EE-FF	100			106,3	105,0 - 107,4	127,3	14,0	37,3	110	59	15	35	12	10
745-01-0108-CC-D-EE-FF	100			108,0	106,5 - 108,5	129,0	14,0	37,3	110	59	15	35	12	10
745-01-0114-CC-D-EE-FF	100	4	114,3	114,3	113,2 - 115,4	135,3	14,0	37,3	110	59	15	35	12	10
745-01-0127-CC-D-EE-FF	125			127,0	125,6 - 128,4	149,0	14,0	37,3	111	59	15	45	12	10
745-01-0129-CC-D-EE-FF	125			129,0	127,5 - 130,0	151,0	14,0	37,3	111	59	15	45	12	10
745-01-0133-CC-D-EE-FF	125			131,7	131,6 - 134,4	155,0	14,0	37,3	111	59	15	45	12	10
745-01-0139-CC-D-EE-FF	125		139,7	139,7	137,7 - 140,9	162,0	14,0	37,3	111	59	15	45	12	10
745-01-0141-CC-D-EE-FF	125	5		140,0	139,7 - 142,5	163,3	14,0	37,3	111	59	15	45	12	10
745-01-0154-CC-D-EE-FF	150			154,0	151,5 - 155,0	176,0	12,0	32,0	111	59	15	45	12	10
745-01-0159-CC-D-EE-FF	150			160,0	156,5 - 160,0	181,0	12,0	32,0	111	59	15	45	12	10
745-01-0165-CC-D-EE-FF	150			165,2	163,3 - 166,7	187,0	12,0	32,0	111	59	15	45	12	10
745-01-0168-CC-D-EE-FF	150	6	168,3	168,3	166,6 - 170,0	190,3	12,0	32,0	111	59	15	45	12	10
745-01-0180-CC-D-EE-FF	175			180,0	178,0 - 182,0	202,0	10,0	26,7	111	59	15	45	12	10
745-01-0200-CC-D-EE-FF	200			200,0	198,2 - 201,5	226,6	8,0	21,3	150	89	15	70	14	12
745-01-0204-CC-D-EE-FF	200			204,0	202,7 - 206,7	230,6	8,0	21,3	150	89	15	70	14	12
745-01-0216-CC-D-EE-FF	200			216,3	214,5 - 218,3	243,0	8,0	21,3	150	89	15	70	14	12
745-01-0219-CC-D-EE-FF	200	8	219,1	219,0	217,0 - 221,0	245,7	8,0	21,3	150	89	15	70	14	12
745-01-0254-CC-D-EE-FF	250			254,0	251,4 - 256,6	280,6	8,0	21,3	150	89	15	70	14	12
745-01-0267-CC-D-EE-FF	250			267,0	264,8 - 270,0	294,0	8,0	21,3	150	89	15	70	14	12
745-01-0273-CC-D-EE-FF	250	10	273,0	273,0	270,4 - 275,6	299,7	8,0	21,3	150	89	15	70	14	12
745-01-0304-CC-D-EE-FF	300			304,0	301,5 - 306,6	330,6	7,0	18,7	150	89	15	70	14	12
745-01-0318-CC-D-EE-FF	300			318,5	316,0 - 322,0	345,0	7,0	18,7	150	89	15	70	14	12
745-01-0323-CC-D-EE-FF	300	12	323,9	323,9	321,0 - 327,4	350,5	7,0	18,7	150	89	15	70	14	12
745-01-0355-CC-D-EE-FF	350	14	355,6	355,0	352,0 - 360,0	382,2	7,0	18,7	150	89	15	70	14	12
745-01-0406-CC-D-EE-FF	400	16	406,4	406,4	402,0 - 410,0	433,0	6,0	16,0	150	89	15	70	14	12

Note: the above tables are guides to the most common sizes. Couplings to suit specific diameters not listed may be manufactured to order. Please contact our sales department for further details. Figures are based on typical values for standard wall carbon steel pipe. For use on thin or soft pipe materials such as thin wall stainless, copper alloy or plastic (by way of example only) please check with us first.

REPICO® GP

GRIP PLASTIC COUPLING

Tensile/axial restraint, for plastic pipes, stainless steel 316L



1	Body	Stainless steel 316L
2	Slide plate	Stainless steel 316L
3	Bolt	Stainless steel A4, PTFE coated
4	Bar nut	Stainless steel 316

5	Bar washer	Stainless steel 316
6	Grip segment	Stainless steel 316
7	Sealing	EPDM or NBR
8	Support ring	Thermo Plastic Urethane (TPU)

Components may be substituted with equivalent or higher-class materials without prior notification.



Remarks:

- Follow the fitting/disassembly instructions
- Strip inserts are an optional accessory (see page 27)
- Working pressure for industrial and land bases applications: minimum burst pressure is 1,5 x PN

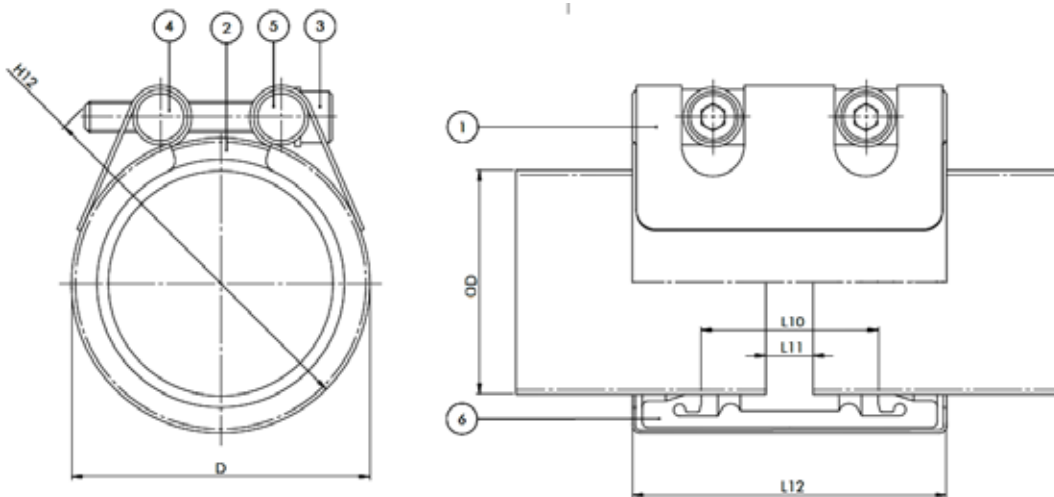
Article number	Pipe DN	Nom. Diam.	Pipe OD	Coupling range (mm)	D (mm)	Working pressure (bar)	Length			Gap	Torque	Thread	Allen head
			DIN/ISO				Industry SF1,5	L12 (mm)	L10 (mm)				
			mm			Nm				M	mm		
745-11-0040-CC-D-01	32	1 1/4	40,0	39,5 - 41,5	55,6	16,0	60	28	8	15	8	6	
745-11-0050-CC-D-01	40	1 1/2	50,0	49,5 - 51,5	65,6	16,0	60	28	8	15	8	6	
745-11-0063-CC-D-01	50	2	63,0	62,4 - 63,6	83,2	16,0	80	44	8	18	8	6	
745-11-0075-CC-D-01	65	2 1/2	75,0	74,0 - 76,2	97,5	16,0	80	44	8	18	8	6	
745-11-0090-CC-D-01	80	3	90,0	87,8 - 91,0	117,7	16,0	110	59	15	35	12	10	
745-11-0110-CC-D-01	100	4	110,0	108,5-110,5	137,9	16,0	110	59	15	35	12	10	
745-11-0160-CC-D-01	150	6	160,0	157,5 - 161,0	189,5	16,0	111	59	15	45	12	10	
745-11-0200-CC-D-01	200	8	200,0	198,2 - 201,5	237,4	10,0	150	89	15	70	14	12	

Note: the above tables are guides to the most common sizes. Couplings to suit specific diameters not listed may be manufactured to order. Please contact our sales department for further details. Figures are based on typical values for standard wall carbon steel pipe. For use on thin or soft pipe materials such as thin wall stainless, copper alloy or plastic (by way of example only) please check with us first.

REPICO®S

SLIP COUPLING

Non-tensile/flexible, for all pipes, stainless steel 316L



1	Body	Stainless steel 316L
2	Slide plate	Stainless steel 316L
3	Bolt	Stainless steel A4, PTFE coated

4	Bar nut	Stainless steel 316
5	Bar washer	Stainless steel 316
6	Sealing	EPDM, NBR, Silicone or FKM

Components may be substituted with equivalent or higher-class materials without prior notification.



On request other Slip type couplings are available:

- Repico® SL – long version
- Repico® SF – high pressure version
- Repico® SFL – high pressure, long version

Please contact our sales department for further details and assistance.

Remarks:

- Follow the fitting/disassembly instructions
- Strip inserts are an optional accessory (see page 27)
- Working pressure for marine application: minimum burst pressure is 4 x PN
- Working pressure for industrial and land bases applications: minimum burst pressure is 1,5 x PN

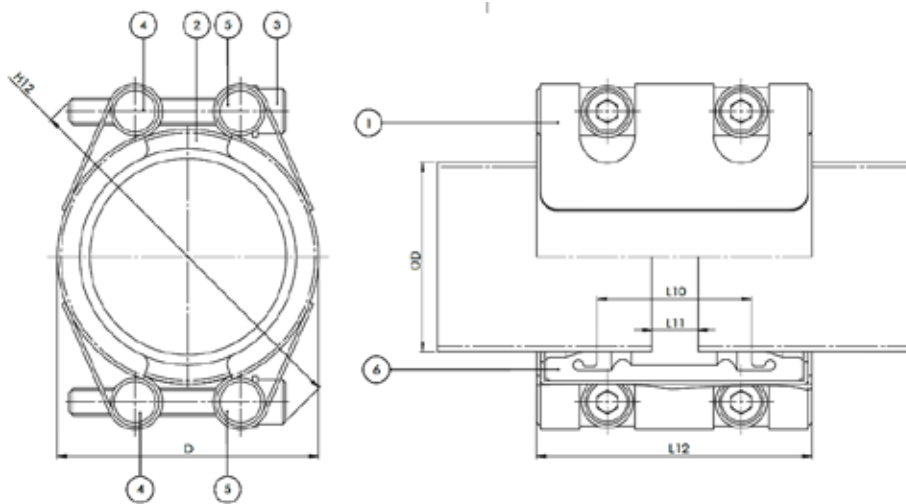
Article number	Pipe DN	Nom. Diam.	Pipe OD		Coupling range (mm)	D (mm)	Working pressure (bar)		Length		Gap L11 (mm)	Torque Nm	Thread M	Allen head mm
			DIN/ISO	Other			Marine SF4	Industry SF1,5	L12 (mm)	L10 (mm)				
			mm	mm										
745-20-0020-CC-D-EE-FF	15			20,0	19,5 - 20,5	32,0	16,0	42,7	60	28	5	7	6	5
745-20-0021-CC-D-EE-FF		1/2	21,3	21,7	21,0 - 22,0	33,7	16,0	42,7	60	28	5	7	6	5
745-20-0025-CC-D-EE-FF	20			25,0	24,0 - 26,0	38,1	16,0	42,7	60	28	5	7	8	6
745-20-0027-CC-D-EE-FF		3/4	26,9	26,7	26,0 - 28,0	40,3	16,0	42,7	60	28	5	7	8	6
745-20-0028-CC-D-EE-FF				28,2	26,4 - 29,0	41,3	16,0	42,7	60	28	5	7	8	6
745-20-0030-CC-D-EE-FF	25			30,0	29,0 - 31,0	43,1	16,0	42,7	60	28	5	7	8	6
745-20-0032-CC-D-EE-FF				32,0	31,0 - 33,0	45,1	16,0	42,7	60	28	5	7	8	6
745-20-0034-CC-D-EE-FF		1	33,7	33,7	33,0 - 35,0	47,1	16,0	42,7	60	28	5	7	8	6
745-20-0038-CC-D-EE-FF	32			38,0	37,0 - 39,0	51,1	16,0	42,7	60	28	5	7	8	6
745-20-0040-CC-D-EE-FF				40,0	39,5 - 41,3	53,1	16,0	42,7	60	28	5	7	8	6
745-20-0042-CC-D-EE-FF		1 1/4	42,4	42,7	42,0 - 44,0	55,8	16,0	42,7	60	28	5	7	8	6
745-20-0044-CC-D-EE-FF				44,5	44,0 - 46,0	57,6	16,0	42,7	60	28	5	7	8	6
745-20-0048-CC-D-EE-FF	40	1 1/2	48,3	48,6	47,5 - 49,5	61,7	16,0	42,7	60	28	5	7	8	6
745-20-0050-CC-D-EE-FF				50,0	49,2 - 51,5	63,9	16,0	42,7	60	28	5	7	8	6
745-20-0054-CC-D-EE-FF	50			54,0	53,0 - 55,0	70,0	16,0	42,7	80	44	5	12	8	6
745-20-0057-CC-D-EE-FF				57,0	56,0 - 58,0	73,0	16,0	42,7	80	44	5	12	8	6
745-20-0060-CC-D-EE-FF		2	60,3	60,5	59,0 - 61,5	76,5	16,0	42,7	80	44	5	12	8	6
745-20-0063-CC-D-EE-FF				63,0	62,0 - 64,0	79,0	16,0	42,7	80	44	5	12	8	6
745-20-0066-CC-D-EE-FF	65			66,8	65,4 - 68,3	82,7	14,0	37,3	80	44	5	12	8	6
745-20-0069-CC-D-EE-FF				69,0	68,5 - 71,0	85,0	14,0	37,3	80	44	5	12	8	6
745-20-0073-CC-D-EE-FF		2 1/2		73,0	72,5 - 75,5	89,0	14,0	37,3	80	44	5	12	8	6
745-20-0076-CC-D-EE-FF			76,1	75,0	75,0 - 78,0	92,3	14,0	37,3	80	44	5	12	8	10
745-20-0079-CC-D-EE-FF	80			79,9	78,8 - 82,0	99,9	14,0	37,3	110	59	5	15	12	10
745-20-0084-CC-D-EE-FF				84,0	82,5 - 85,5	104,0	14,0	37,3	110	59	5	15	12	10
745-20-0089-CC-D-EE-FF		3	88,9	90,0	88,0 - 91,0	109,1	14,0	37,3	110	59	5	15	12	10
745-20-0101-CC-D-EE-FF	90		101,6	101,6	100,0 - 103,0	121,6	14,0	37,3	110	59	5	15	12	10
745-20-0104-CC-D-EE-FF	100			104,0	102,0 - 105,0	124,0	14,0	37,3	110	59	5	15	12	10
745-20-0106-CC-D-EE-FF				106,3	105,0 - 107,5	126,3	14,0	37,3	110	59	5	15	12	10
745-20-0108-CC-D-EE-FF				108,0	106,0 - 109,0	128,0	14,0	37,3	110	59	5	15	12	10
745-20-0114-CC-D-EE-FF		4	114,3	114,3	113,0 - 116,0	134,3	14,0	37,3	110	59	5	15	12	10
745-20-0127-CC-D-EE-FF	125			127,0	125,0 - 129,0	148,5	14,0	37,3	111	59	5	25	12	10
745-20-0129-CC-D-EE-FF				129,0	127,5 - 130,0	150,5	14,0	37,3	111	59	5	25	12	10
745-20-0133-CC-D-EE-FF				131,7	131,0 - 135,0	154,5	14,0	37,3	111	59	5	25	12	10
745-20-0139-CC-D-EE-FF			139,7	139,7	138,0 - 142,0	161,3	14,0	37,3	111	59	5	25	12	10
745-20-0141-CC-D-EE-FF		5		140,0	139,5 - 143,5	162,8	14,0	37,3	111	59	5	25	12	10
745-20-0154-CC-D-EE-FF	150			154,0	151,5 - 155,5	175,5	12,0	32,0	111	59	5	25	12	10
745-20-0159-CC-D-EE-FF				160,0	156,0 - 160,0	180,5	12,0	32,0	111	59	5	25	12	10
745-20-0165-CC-D-EE-FF				165,2	164,0 - 167,0	186,7	12,0	32,0	111	59	5	25	12	10
745-20-0168-CC-D-EE-FF		6	168,3	168,3	166,0 - 170,0	189,8	12,0	32,0	111	59	5	25	12	10
745-20-0180-CC-D-EE-FF	175			180,0	178,0 - 182,0	201,5	10,0	26,7	111	59	5	30	12	10
745-20-0200-CC-D-EE-FF	200			200,0	198,0 - 203,0	225,5	8,0	21,3	150	89	10	35	14	12
745-20-0204-CC-D-EE-FF				204,0	202,0 - 206,0	229,5	8,0	21,3	150	89	10	35	14	12
745-20-0216-CC-D-EE-FF				216,3	214,0 - 218,5	241,8	8,0	21,3	150	89	10	35	14	12
745-20-0219-CC-D-EE-FF		8	219,1	219,0	216,5 - 221,5	244,6	8,0	21,3	150	89	10	35	14	12
745-20-0254-CC-D-EE-FF	250			254,0	251,0 - 257,0	279,5	8,0	21,3	150	89	10	35	14	12
745-20-0267-CC-D-EE-FF				267,0	262,0 - 269,0	292,9	8,0	21,3	150	89	10	35	14	12
745-20-0273-CC-D-EE-FF		10	273,0	273,0	270,0 - 276,0	298,6	8,0	21,3	150	89	10	35	14	12
745-20-0304-CC-D-EE-FF	300			304,0	301,5 - 308,0	329,5	7,0	18,7	150	89	10	35	14	12
745-20-0318-CC-D-EE-FF				318,5	316,0 - 322,5	344,0	7,0	18,7	150	89	10	35	14	12
745-20-0323-CC-D-EE-FF		12	323,9	323,9	322,0 - 328,0	349,4	7,0	18,7	150	89	10	35	14	12
745-20-0355-CC-D-EE-FF	350	14	355,6	355,0	352,0 - 360,0	381,1	7,0	18,7	150	89	10	45	14	12
745-20-0400-CC-D-EE-FF	400	16	400,0	400,0	396,0 - 404,0	425,9	6,0	16,0	150	89	10	45	14	12
745-20-0406-CC-D-EE-FF			406,4	406,4	402,0 - 410,0	431,9	6,0	16,0	150	89	10	45	14	12
745-20-0457-CC-D-EE-FF	450	18	457,2	457,2	453,0 - 460,0	482,7	6,0	16,0	150	89	10	55	14	12
745-20-0500-CC-D-EE-FF	500	20	500,0	500,0	496,0 - 504,0	525,5	5,0	13,3	150	89	10	55	14	12
745-20-0508-CC-D-EE-FF			508,0	508,0	504,0 - 512,0	533,5	5,0	13,3	150	89	10	55	14	12
745-20-0558-CC-D-EE-FF	550	22	558,8	559,0	555,0 - 563,0	584,3	4,6	12,2	150	89	15	55	14	12
745-20-0609-CC-D-EE-FF	600	24	609,6	610,0	605,0 - 614,0	635,1	4,2	11,2	150	89	15	55	14	12
745-20-0616-CC-D-EE-FF			616,0	617,0	612,0 - 621,0	642,1	4,2	11,2	150	89	15	55	14	12

Note: the above tables are guides to the most common sizes. Couplings to suit specific diameters not listed may be manufactured to order. Please contact our sales department for further details. Figures are based on typical values for standard wall carbon steel pipe. For use on thin or soft pipe materials such as thin wall stainless, copper alloy or plastic (by way of example only) please check with us first.

REPICO®SD

SLIP COUPLING TWO LOCKS

Non-tensile / Flexible, for all pipes, stainless steel 316L



1	Body	Stainless steel 316L
2	Slide plate	Stainless steel 316L
3	Bolt	Stainless steel A4, PTFE coated

4	Bar nut	Stainless steel 316
5	Bar washer	Stainless steel 316
6	Sealing	EPDM, NBR, Silicone or FKM

Components may be substituted with equivalent or higher-class materials without prior notification.



On request other Slip type couplings are available:

- Repico®SDL - long version
- Repico®SDF - high pressure version
- Repico®ST - slip coupling three locks
- Repico®SQ - slip coupling four locks

Please contact our sales department for further details and assistance.

Remarks:

- Follow the fitting/disassembly instructions
- Strip inserts are an optional accessory (see page 27)
- Working pressure for industrial and land bases applications: minimum burst pressure is 1,5 x PN

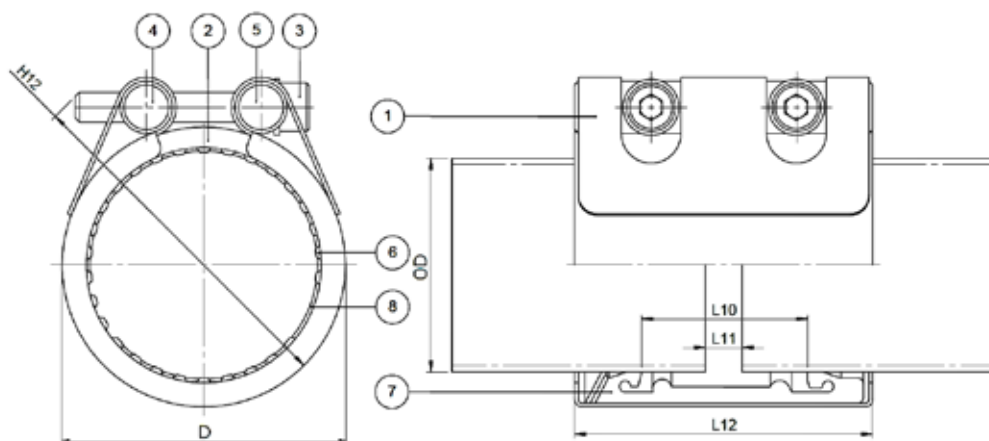
Article number	Pipe DN	Nom. Diam.	Pipe OD		Coupling range (mm)	D (mm)	Working pressure (bar)	Length		Gap	Torque	Thread	Allen head
			DIN/ISO	Other				L12 (mm)	L10 (mm)				
			mm	mm			Industry SF1,5						
745-28-0054-CC-D-EE	50		54,0	54,0	53,0 - 56,0	70,0	42,7	80	44	5	12	8	6
745-28-0057-CC-D-EE			57,0	57,0	56,0 - 59,0	73,0	42,7	80	44	5	12	8	6
745-28-0060-CC-D-EE		2	60,5	60,5	59,0 - 62,0	76,5	42,7	80	44	5	12	8	6
745-28-0063-CC-D-EE			63,0	63,0	62,0 - 65,0	79,0	42,7	80	44	5	12	8	6
745-28-0066-CC-D-EE	65		66,7	66,8	65,4 - 69,0	82,7	37,3	80	44	5	12	8	6
745-28-0069-CC-D-EE			69,0	69,0	68,5 - 72,0	85,0	37,3	80	44	5	12	8	6
745-28-0073-CC-D-EE			73,0	73,0	72,5 - 76,5	89,0	37,3	80	44	5	12	8	6
745-28-0076-CC-D-EE		2 1/2	76,3	75,0	75,0 - 79,0	92,3	37,3	80	44	5	12	8	6
745-28-0079-CC-D-EE	80		79,9	79,9	78,8 - 83,0	99,9	37,3	110	59	5	15	8	6
745-28-0084-CC-D-EE			84,0	84,0	82,5 - 86,0	104,0	37,3	110	59	5	15	8	6
745-28-0089-CC-D-EE		3	89,1	90,0	88,0 - 92,0	109,1	37,3	110	59	5	15	12	10
745-28-0101-CC-D-EE	90		101,6	101,6	100,0 - 104,0	121,6	37,3	110	59	5	15	12	10
745-28-0104-CC-D-EE	100		104,0	104,0	102,0 - 106,0	124,0	37,3	110	59	5	15	12	10
745-28-0106-CC-D-EE			106,3	106,3	105,0 - 108,5	126,3	37,3	110	59	5	15	12	10
745-28-0108-CC-D-EE			108,0	108,0	106,0 - 110,0	128,0	37,3	110	59	5	15	12	10
745-28-0114-CC-D-EE		4	114,3	114,3	113,0 - 118,0	134,3	37,3	110	59	5	15	12	10
745-28-0127-CC-D-EE	125		127,0	127,0	125,0 - 129,5	148,5	37,3	111	59	5	25	12	10
745-28-0129-CC-D-EE			129,0	129,0	127,5 - 131,0	150,5	37,3	111	59	5	25	12	10
745-28-0133-CC-D-EE			133,0	131,7	131,0 - 135,5	154,5	37,3	111	59	5	25	12	10
745-28-0139-CC-D-EE		5	139,8	139,7	138,0 - 142,5	161,3	37,3	111	59	5	25	12	10
745-28-0141-CC-D-EE			141,3	140,0	139,5 - 144,0	162,8	37,3	111	59	5	25	12	10
745-28-0154-CC-D-EE	150		154,0	154,0	151,5 - 156,0	175,5	32,0	111	59	5	25	12	10
745-28-0159-CC-D-EE			159,0	160,0	156,0 - 161,0	180,5	32,0	111	59	5	25	12	10
745-28-0165-CC-D-EE		6	165,2	165,2	164,0 - 168,5	186,7	32,0	111	59	5	25	12	10
745-28-0168-CC-D-EE			168,3	168,3	166,0 - 170,5	189,8	32,0	111	59	5	25	12	10
745-28-0180-CC-D-EE	175		180,0	180,0	178,0 - 183,0	201,5	26,7	111	59	5	30	12	10
745-28-0200-CC-D-EE	200		200,0	200,0	198,0 - 203,5	225,5	21,3	150	89	10	45	14	12
745-28-0204-CC-D-EE			204,0	204,0	202,0 - 206,5	229,5	21,3	150	89	10	45	14	12
745-28-0216-CC-D-EE		8	216,3	216,3	214,0 - 219,0	241,8	21,3	150	89	10	45	14	12
745-28-0219-CC-D-EE			219,1	219,0	216,5 - 222,0	244,6	21,3	150	89	10	45	14	12
745-28-0254-CC-D-EE	250		254,0	254,0	251,0 - 257,0	279,5	21,3	150	89	10	45	14	12
745-28-0267-CC-D-EE		10	267,4	267,0	262,0 - 270,0	292,9	21,3	150	89	10	45	14	12
745-28-0273-CC-D-EE			273,1	273,0	270,0 - 277,0	298,6	21,3	150	89	10	45	14	12
745-28-0304-CC-D-EE	300		304,0	304,0	301,5 - 309,0	329,5	18,7	150	89	10	75	14	12
745-28-0318-CC-D-EE		12	318,5	318,5	316,0 - 323,0	344,0	18,7	150	89	10	75	14	12
745-28-0323-CC-D-EE			323,9	323,9	322,0 - 329,0	349,4	18,7	150	89	10	75	14	12
745-28-0355-CC-D-EE	350	14	355,6	355,0	352,0 - 361,0	381,1	18,7	150	89	10	75	14	12
745-28-0406-CC-D-EE	400	16	406,4	406,4	402,0 - 411,0	431,9	16,0	150	89	10	75	14	12
745-28-0457-CC-D-EE	450	18	457,2	457,2	453,0 - 462,0	482,7	16,0	150	89	10	90	14	12
745-28-0508-CC-D-EE	500	20	508,0	508,0	504,0 - 513,0	533,5	13,3	150	89	10	90	14	12
745-28-0558-CC-D-EE	550	22	558,8	559,0	554,0 - 564,0	584,3	12,3	150	89	10	90	14	12
745-28-0609-CC-D-EE	600	24	609,6	610,0	605,0 - 615,0	635,1	11,2	150	89	10	90	14	12
745-28-0660-CC-D-EE	650	26	660,4	660,0	654,0 - 666,0	685,9	10,7	150	89	15	90	14	12
745-28-0711-CC-D-EE	700	28	711,2	711,0	705,0 - 717,0	736,7	9,9	150	89	15	90	14	12
745-28-0762-CC-D-EE	750	30	762,0	762,0	756,0 - 768,0	787,5	9,6	150	89	15	90	14	12
745-28-0812-CC-D-EE	800	32	812,8	813,0	806,0 - 818,0	838,3	9,1	150	89	15	90	14	12
745-28-0863-CC-D-EE	850	34	863,6	864,0	857,0 - 869,0	889,1	8,5	150	89	15	90	14	12
745-28-0914-CC-D-EE	900	36	914,4	914,0	908,0 - 920,0	939,9	8,0	150	89	15	90	14	12
745-28-1016-CC-D-EE	1000	40	1016,0	1016,0	1010,0 - 1022,0	1041,5	7,2	150	89	15	90	14	12

Note: the above tables are guides to the most common sizes. Couplings to suit specific diameters not listed may be manufactured to order. Please contact our sales department for further details. Figures are based on typical values for standard wall carbon steel pipe. For use on thin or soft pipe materials such as thin wall stainless, copper alloy or plastic (by way of example only) please check with us first.

REPICO®SG

SLIP GRIP COUPLING

Tensile/axial restraint – Non-tensile, for all metal pipes, stainless steel 316L



1	Body	Stainless steel 316L
2	Slide plate	Stainless steel 316L
3	Bolt	Stainless steel A4, PTFE coated
4	Bar nut	Stainless steel 316

5	Bar washer	Stainless steel 316
6	Grip segment	Stainless steel 301H
7	Sealing	EPDM, NBR or Silicone
8	Support ring	Stainless steel 301H

Components may be substituted with equivalent or higher-class materials without prior notification.



Remarks:

- Follow the fitting/disassembly instructions
- Strip inserts are an optional accessory (see page 27)
- Working pressure for marine application: minimum burst pressure is 4 x PN
- Working pressure for industrial and land bases applications: minimum burst pressure is 1,5 x PN

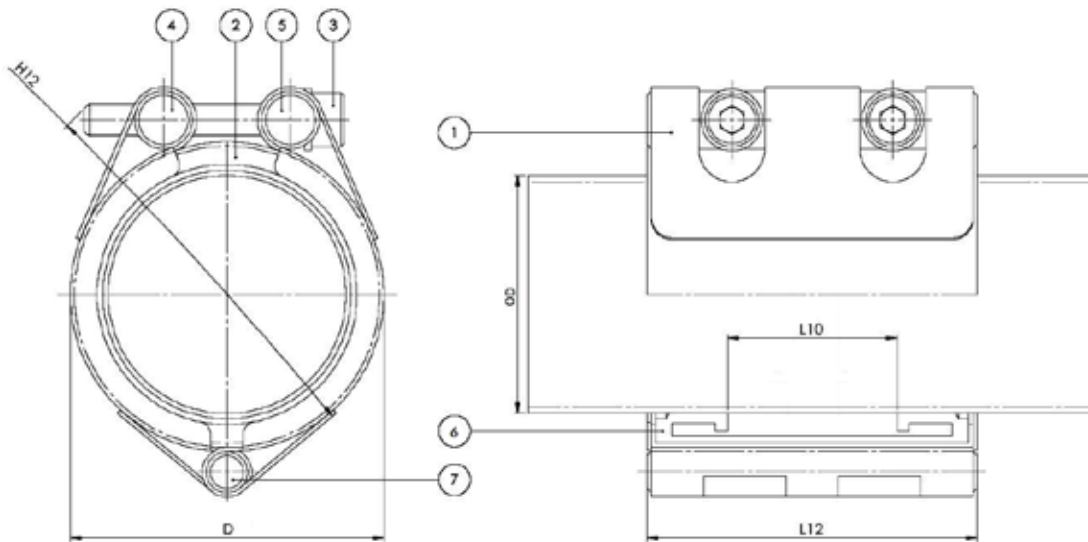
Article number	Pipe DN	Nom. Diam.	Pipe OD		Coupling range (mm)	D (mm)	Working pressure (bar)		Length		Gap	Torque Nm	Thread M	Allen head mm	
			DIN/ISO	Other			Marine SF4	Industry SF1,5	L12 (mm)	L10 (mm)					L11 (mm)
			mm	mm											
745-52-0020-CC-D-EE-FF	15		20,0	20,0	19,5 - 20,5	33,5	16,0	42,7	60	28	5	7	6	5	
745-52-0021-CC-D-EE-FF		1/2	21,7	21,7	21,2 - 22,2	35,2	16,0	42,7	60	28	5	7	6	5	
745-52-0025-CC-D-EE-FF	20		25,0	25,0	24,5 - 25,5	38,5	16,0	42,7	60	28	5	8	8	6	
745-52-0027-CC-D-EE-FF		3/4	27,2	26,7	26,7 - 27,7	40,7	16,0	42,7	60	28	5	8	8	6	
745-52-0028-CC-D-EE-FF			28,2	28,2	27,5 - 29,0	41,6	16,0	42,7	60	28	5	8	8	6	
745-52-0030-CC-D-EE-FF	25		30,0	30,0	29,5 - 30,5	43,5	16,0	42,7	60	28	5	8	8	6	
745-52-0032-CC-D-EE-FF			32,0	32,0	31,5 - 32,5	45,5	16,0	42,7	60	28	5	8	8	6	
745-52-0034-CC-D-EE-FF		1	34,0	33,7	33,0 - 34,6	47,5	16,0	42,7	60	28	5	8	8	6	
745-52-0038-CC-D-EE-FF	32		38,0	38,0	37,5 - 38,5	51,5	16,0	42,7	60	28	5	10	8	6	
745-52-0040-CC-D-EE-FF			40,0	40,0	39,5 - 41,5	53,5	16,0	42,7	60	28	5	10	8	6	
745-52-0042-CC-D-EE-FF		1 1/4	42,7	42,7	41,9 - 43,0	56,0	16,0	42,7	60	28	5	10	8	6	
745-52-0044-CC-D-EE-FF			44,5	44,5	44,0 - 45,0	58,0	16,0	42,7	60	28	5	10	8	6	
745-52-0048-CC-D-EE-FF	40	1 1/2	48,6	48,6	47,8 - 49,0	62,0	16,0	42,7	60	28	5	10	8	6	
745-52-0050-CC-D-EE-FF			50,8	50,0	49,5 - 51,5	64,5	16,0	42,7	60	28	5	10	8	6	
745-52-0054-CC-D-EE-FF	50		54,0	54,0	53,4 - 54,6	69,6	16,0	42,7	80	44	5	15	8	6	
745-52-0057-CC-D-EE-FF			57,0	57,0	56,4 - 57,6	72,6	16,0	42,7	80	44	5	15	8	6	
745-52-0060-CC-D-EE-FF		2	60,5	60,5	59,0 - 61,5	76,0	16,0	42,7	80	44	5	15	8	6	
745-52-0063-CC-D-EE-FF			63,0	63,0	62,4 - 63,6	78,6	16,0	42,7	80	44	5	15	8	6	
745-52-0066-CC-D-EE-FF	65		66,7	66,8	65,2 - 67,3	82,3	14,0	37,3	80	44	5	15	8	6	
745-52-0069-CC-D-EE-FF			69,0	69,0	68,0 - 70,1	84,6	14,0	37,3	80	44	5	15	8	6	
745-52-0073-CC-D-EE-FF		2,5	73,0	73,0	71,5 - 74,1	88,6	14,0	37,3	80	44	5	15	8	6	
745-52-0076-CC-D-EE-FF			76,3	75,0	75,0 - 77,2	92,0	14,0	37,3	80	44	5	15	8	6	
745-52-0079-CC-D-EE-FF	80		79,9	79,9	78,8 - 80,8	101,0	14,0	37,3	110	59	5	20	12	10	
745-52-0084-CC-D-EE-FF			84,0	84,0	83,0 - 84,9	105,0	14,0	37,3	110	59	5	20	12	10	
745-52-0089-CC-D-EE-FF		3	89,1	90,0	87,8 - 91,0	110,0	14,0	37,3	110	59	5	20	12	10	
745-52-0101-CC-D-EE-FF	90	3 1/2	101,6	101,6	100,4 - 102,6	123,0	14,0	37,3	110	59	5	20	12	10	
745-52-0104-CC-D-EE-FF	100		104,0	104,0	103,0 - 104,8	125,0	14,0	37,3	110	59	5	20	12	10	
745-52-0106-CC-D-EE-FF			106,3	106,3	105,0 - 107,4	127,3	14,0	37,3	110	59	5	20	12	10	
745-52-0108-CC-D-EE-FF			108,0	108,0	106,5 - 108,5	129,0	14,0	37,3	110	59	5	20	12	10	
745-52-0114-CC-D-EE-FF		4	114,3	114,3	113,2 - 115,4	135,3	14,0	37,3	110	59	5	20	12	10	
745-52-0127-CC-D-EE-FF	125		127,0	127,0	125,6 - 128,4	149,0	14,0	37,3	111	59	5	30	12	10	
745-52-0129-CC-D-EE-FF			129,0	129,0	127,5 - 130,0	151,0	14,0	37,3	111	59	5	30	12	10	
745-52-0133-CC-D-EE-FF			133,0	131,7	131,6 - 134,4	155,0	14,0	37,3	111	59	5	30	12	10	
745-52-0139-CC-D-EE-FF			139,8	139,7	137,7 - 140,9	162,0	14,0	37,3	111	59	5	30	12	10	
745-52-0141-CC-D-EE-FF		5	141,3	140,0	139,7 - 142,5	163,3	14,0	37,3	111	59	5	30	12	10	
745-52-0154-CC-D-EE-FF	150		154,0	154,0	151,5 - 155,0	176,0	12,0	32,0	111	59	5	30	12	10	
745-52-0159-CC-D-EE-FF			159,0	160,0	156,5 - 160,0	181,0	12,0	32,0	111	59	5	30	12	10	
745-52-0165-CC-D-EE-FF			165,2	165,2	163,3 - 166,7	187,0	12,0	32,0	111	59	5	30	12	10	
745-52-0168-CC-D-EE-FF		6	168,3	168,3	166,6 - 170,0	190,3	12,0	32,0	111	59	5	30	12	10	
745-52-0180-CC-D-EE-FF	175		180,0	180,0	178,0 - 182,0	202,0	10,0	26,7	111	59	5	30	12	10	
745-52-0200-CC-D-EE-FF	200		200,0	200,0	198,2 - 201,5	226,6	8,0	21,3	150	89	10	60	14	12	
745-52-0204-CC-D-EE-FF			204,0	204,0	202,7 - 206,7	230,6	8,0	21,3	150	89	10	60	14	12	
745-52-0216-CC-D-EE-FF			216,3	216,3	214,5 - 218,3	243,0	8,0	21,3	150	89	10	60	14	12	
745-52-0219-CC-D-EE-FF		8	219,1	219,0	217,0 - 221,0	245,7	8,0	21,3	150	89	10	60	14	12	
745-52-0254-CC-D-EE-FF	250		254,0	254,0	251,4 - 256,6	280,6	8,0	21,3	150	89	10	60	14	12	
745-52-0267-CC-D-EE-FF			267,4	267,0	264,8 - 270,0	294,0	8,0	21,3	150	89	10	60	14	12	
745-52-0273-CC-D-EE-FF		10	273,1	273,0	270,4 - 275,6	299,7	8,0	21,3	150	89	10	60	14	12	
745-52-0304-CC-D-EE-FF	300		304,0	304,0	301,5 - 306,6	330,6	7,0	18,7	150	89	10	60	14	12	
745-52-0318-CC-D-EE-FF			318,5	318,5	316,0 - 322,0	345,0	7,0	18,7	150	89	10	60	14	12	
745-52-0321-CC-D-EE-FF		12	323,9	323,9	321,0 - 327,4	350,5	7,0	18,7	150	89	10	60	14	12	

Note: the above tables are guides to the most common sizes. Couplings to suit specific diameters not listed may be manufactured to order. Please contact our sales department for further details. Figures are based on typical values for standard wall carbon steel pipe. For use on thin or soft pipe materials such as thin wall stainless, copper alloy or plastic (by way of example only) please check with us first.

REPICO®RH

HINGE REPAIR COUPLING

For all pipes, stainless steel 316L



1	Body	Stainless steel 316L
2	Slide plate	Stainless steel 316L
3	Bolt	Stainless steel A4, PTFE coated
4	Bar nut	Stainless steel 316

5	Bar washer	Stainless steel 316
6	Sealing	EPDM, NBR, Silicone or FKM
7	Bar rod	Stainless steel 316

Components may be substituted with equivalent or higher-class materials without prior notification.



On request other RH type repair couplings are available:

- Repico® RHL – long version

Please contact our sales department for further details and assistance.

Remarks:

- Follow the fitting/disassembly instructions
- Working pressure for industrial and land bases applications: minimum burst pressure is 1,5 x PN

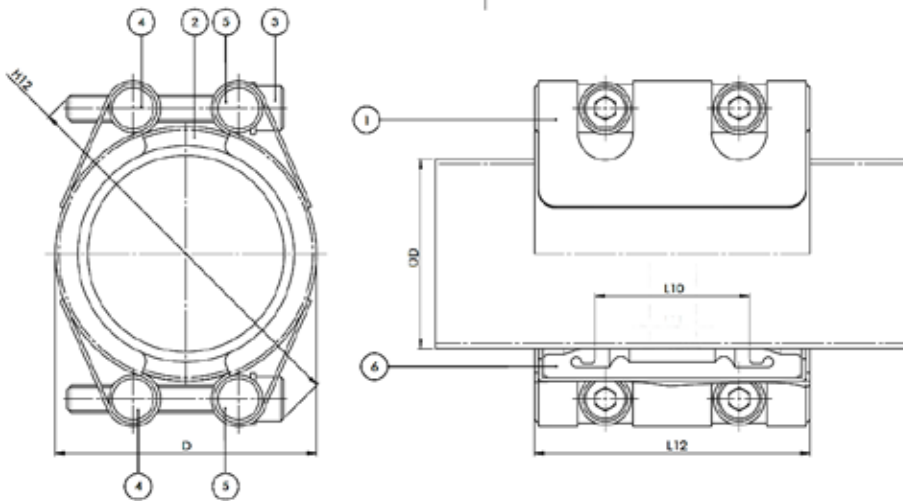
Article number	Pipe DN	Nom. Diam.	Pipe OD		Coupling range (mm)	D (mm)	Working pressure (bar)	Length		Torque Nm	Thread M	Allen head mm
			DIN/ISO	Other				L12 (mm)	L10 (mm)			
			mm	mm			Industry SF1,5					
747-81-0020-CC-D-EE	15		20,0	20,0	19,5 - 20,5	33,1	42,7	60	28	5	6	5
747-81-0021-CC-D-EE		1/2	21,7	21,7	21,0 - 22,0	34,8	42,7	60	28	5	6	5
747-81-0025-CC-D-EE	20		25,0	25,0	24,0 - 26,0	38,1	42,7	60	28	7	6	5
747-81-0027-CC-D-EE		3/4	27,2	26,7	26,0 - 28,0	40,3	42,7	60	28	7	6	5
747-81-0028-CC-D-EE			28,2	28,2	26,4 - 29,0	41,3	42,7	60	28	7	6	5
747-81-0030-CC-D-EE	25		30,0	30,0	29,0 - 31,0	43,1	42,7	60	28	7	6	5
747-81-0032-CC-D-EE			32,0	32,0	31,0 - 33,0	45,1	42,7	60	28	7	6	5
747-81-0034-CC-D-EE		1	34,0	33,7	33,0 - 35,0	47,1	42,7	60	28	7	6	5
747-81-0038-CC-D-EE	32		38,0	38,0	37,0 - 39,0	51,1	42,7	60	28	7	8	6
747-81-0040-CC-D-EE			40,0	40,0	39,5 - 41,3	53,1	42,7	60	28	7	8	6
747-81-0042-CC-D-EE		1 1/4	42,7	42,7	42,0 - 44,0	55,8	42,7	60	28	7	8	6
747-81-0044-CC-D-EE			44,5	44,5	44,0 - 46,0	57,6	42,7	60	28	7	8	6
747-81-0048-CC-D-EE	40	1 1/2	48,6	48,6	47,5 - 49,5	61,7	42,7	60	28	7	8	6
747-81-0050-CC-D-EE			50,8	50,0	49,2 - 51,5	63,9	42,7	60	28	7	8	6
747-81-0054-CC-D-EE	50		54,0	54,0	53,0 - 55,0	70,0	42,7	80	44	12	8	6
747-81-0057-CC-D-EE			57,0	57,0	56,0 - 58,0	73,0	42,7	80	44	12	8	6
747-81-0060-CC-D-EE		2	60,5	60,5	59,0 - 61,5	76,5	42,7	80	44	12	8	6
747-81-0063-CC-D-EE			63,0	63,0	62,0 - 64,0	79,0	42,7	80	44	12	8	6
747-81-0066-CC-D-EE	65		66,7	66,8	65,4 - 68,3	82,7	37,3	80	44	12	8	6
747-81-0069-CC-D-EE			69,0	69,0	68,5 - 71,0	85,0	37,3	80	44	12	8	6
747-81-0073-CC-D-EE			73,0	73,0	72,5 - 75,5	89,0	37,3	80	44	12	8	6
747-81-0076-CC-D-EE		2 1/2	76,3	75,0	75,0 - 78,0	92,3	37,3	80	44	12	8	6
747-81-0079-CC-D-EE	80		79,9	79,9	78,8 - 82,0	99,9	37,3	110	59	30	12	10
747-81-0084-CC-D-EE			84,0	84,0	82,5 - 85,5	104,0	37,3	110	59	30	12	10
747-81-0089-CC-D-EE		3	89,1	90,0	88,0 - 91,0	109,1	37,3	110	59	30	12	10
747-81-0101-CC-D-EE	90		101,6	101,6	100,0 - 103,0	121,6	37,3	110	59	30	12	10
747-81-0104-CC-D-EE	100		104,0	104,0	102,0 - 105,0	124,0	37,3	110	59	40	12	10
747-81-0106-CC-D-EE			106,3	106,3	105,0 - 107,5	126,3	37,3	110	59	40	12	10
747-81-0108-CC-D-EE			108,0	108,0	106,0 - 109,0	128,0	37,3	110	59	40	12	10
747-81-0114-CC-D-EE		4	114,3	114,3	113,0 - 116,0	134,3	37,3	110	59	40	12	10
747-81-0127-CC-D-EE	125		127,0	127,0	125,0 - 129,0	148,5	37,3	111	59	40	12	10
747-81-0129-CC-D-EE			129,0	129,0	127,5 - 130,0	150,5	37,3	111	59	40	12	10
747-81-0133-CC-D-EE			133,0	131,7	131,0 - 135,0	154,5	37,3	111	59	40	12	10
747-81-0139-CC-D-EE		5	139,8	139,7	138,0 - 142,0	161,3	37,3	111	59	40	12	10
747-81-0141-CC-D-EE			141,3	140,0	139,5 - 143,5	162,8	37,3	111	59	40	12	10
747-81-0154-CC-D-EE	150		154,0	154,0	151,5 - 155,5	175,5	32,0	111	59	40	12	10
747-81-0159-CC-D-EE			159,0	160,0	156,0 - 160,0	180,5	32,0	111	59	40	12	10
747-81-0165-CC-D-EE		6	165,2	165,2	164,0 - 167,0	186,7	32,0	111	59	40	12	10
747-81-0168-CC-D-EE			168,3	168,3	166,0 - 170,0	189,8	32,0	111	59	40	12	10
747-81-0180-CC-D-EE	175		180,0	180,0	178,0 - 182,0	201,5	26,7	111	59	45	12	10
747-81-0200-CC-D-EE	200		200,0	200,0	198,0 - 203,0	225,5	21,3	150	89	60	14	12
747-81-0204-CC-D-EE			204,0	204,0	202,0 - 206,0	229,5	21,3	150	89	60	14	12
747-81-0216-CC-D-EE		8	216,3	216,3	214,0 - 218,5	241,8	21,3	150	89	60	14	12
747-81-0219-CC-D-EE			219,1	219,0	216,5 - 221,5	244,6	21,3	150	89	60	14	12
747-81-0254-CC-D-EE	250		254,0	254,0	251,0 - 257,0	279,5	21,3	150	89	60	14	12
747-81-0267-CC-D-EE		10	267,4	267,0	262,0 - 269,0	292,9	21,3	150	89	60	14	12
747-81-0273-CC-D-EE			273,1	273,0	270,0 - 276,0	298,6	21,3	150	89	60	14	12
747-81-0304-CC-D-EE	300		304,0	304,0	301,5 - 308,0	329,5	18,7	150	89	60	14	12
747-81-0318-CC-D-EE		12	318,5	318,5	316,0 - 322,5	344,0	18,7	150	89	60	14	12
747-81-0323-CC-D-EE			323,9	323,9	322,0 - 328,0	349,4	18,7	150	89	60	14	12
747-81-0355-CC-D-EE	350	14	355,6	355,0	352,0 - 360,0	381,1	18,7	150	89	75	14	12
747-81-0406-CC-D-EE	400	16	406,4	406,4	402,0 - 410,0	431,9	16,0	150	89	75	14	12
747-81-0457-CC-D-EE	450	18	457,2	457,2	453,0 - 460,0	482,7	16,0	150	89	90	14	12
747-81-0508-CC-D-EE	500	20	508,0	508,0	504,0 - 512,0	533,5	13,3	150	89	90	14	12
747-81-0558-CC-D-EE	550	22	558,8	559,0	555,0 - 563,0	584,3	12,3	150	89	90	14	12
747-81-0609-CC-D-EE	600	24	609,6	610,0	605,0 - 614,0	635,1	11,2	150	89	90	14	12

Note: the above tables are guides to the most common sizes. Couplings to suit specific diameters not listed may be manufactured to order. Please contact our sales department for further details. Figures are based on typical values for standard wall carbon steel pipe. For use on thin or soft pipe materials such as thin wall stainless, copper alloy or plastic (by way of example only) please check with us first.

REPICO®RSD

REPAIR COUPLING TWO LOCKS

For all pipes, stainless steel 316L



1	Body	Stainless steel 316L
2	Slide plate	Stainless steel 316L
3	Bolt	Stainless steel A4, PTFE coated

4	Bar nut	Stainless steel 316
5	Bar washer	Stainless steel 316
6	Sealing	EPDM, NBR, Silicone or FKM

Components may be substituted with equivalent or higher-class materials without prior notification.



On request other RSD type repair couplings are available:

- Repico® RSDL – long version
- Repico® RSDF – high pressure version
- Repico® RSDFL – high pressure, long version

Please contact our sales department for further details and assistance.

Remarks:

- Follow the fitting/disassembly instructions
- Working pressure for industrial and land bases applications: minimum burst pressure is 1,5 x PN

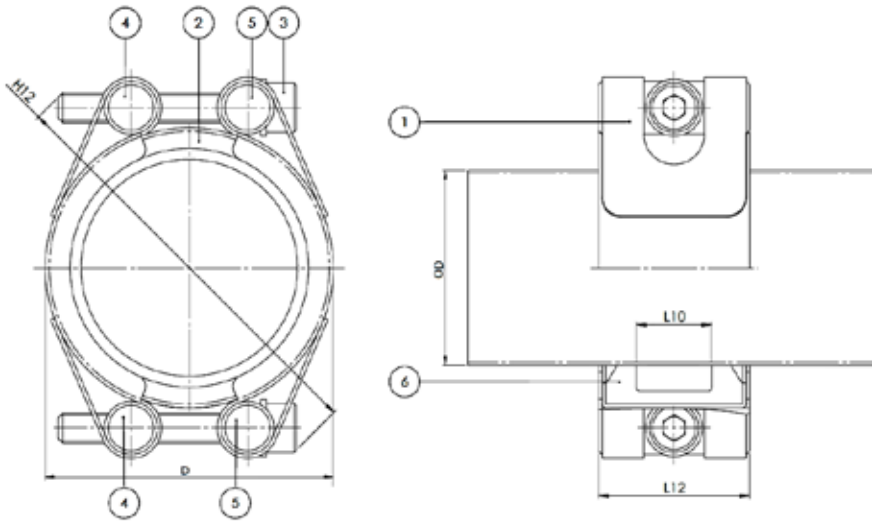
Article number	Pipe DN	Nom. Diam.	Pipe OD		Coupling range (mm)	D (mm)	Working pressure (bar)	Length		Torque Nm	Thread M	Allen head mm
			DIN/ISO	Other				L12 (mm)	L10 (mm)			
			mm	mm			Industry SF1,5					
747-01-0015-CC-D-EE	10		15,8	15,8	15,3 - 17,0	28,9	42,7	60	28	7	6	5
747-01-0020-CC-D-EE	15	0,5	20,0	20,0	19,5 - 21,3	33,1	42,7	60	28	7	6	5
747-01-0021-CC-D-EE		1/2	21,7	21,7	21,0 - 23,0	34,8	42,7	60	28	7	6	5
747-01-0025-CC-D-EE	20		25,0	25,0	24,0 - 26,5	38,1	42,7	60	28	7	6	5
747-01-0027-CC-D-EE		3/4	27,2	26,7	26,0 - 28,5	40,3	42,7	60	28	7	6	5
747-01-0028-CC-D-EE			28,2	28,2	26,4 - 29,5	41,3	42,7	60	28	7	6	5
747-01-0030-CC-D-EE	25		30,0	30,0	29,0 - 31,5	43,1	42,7	60	28	7	6	5
747-01-0032-CC-D-EE			32,0	32,0	31,0 - 33,5	45,1	42,7	60	28	7	6	5
747-01-0034-CC-D-EE		1	34,0	33,7	33,0 - 35,5	47,1	42,7	60	28	7	6	5
747-01-0038-CC-D-EE	32		38,0	38,0	37,0 - 39,5	51,1	42,7	60	28	7	6	5
747-01-0040-CC-D-EE			40,0	40,0	39,5 - 41,8	53,1	42,7	60	28	7	6	5
747-01-0042-CC-D-EE		1 1/4	42,7	42,7	42,0 - 44,5	55,8	42,7	60	28	7	6	5
747-01-0044-CC-D-EE			44,5	44,5	44,0 - 46,5	57,6	42,7	60	28	7	6	5
747-01-0048-CC-D-EE	40	1 1/2	48,6	48,6	47,5 - 50,5	61,7	42,7	60	28	7	6	5
747-01-0050-CC-D-EE			50,8	50,0	49,2 - 51,5	63,9	42,7	60	28	7	6	5
747-01-0054-CC-D-EE	50		54,0	54,0	53,0 - 56,0	70,0	42,7	80	44	12	8	6
747-01-0057-CC-D-EE			57,0	57,0	56,0 - 59,0	73,0	42,7	80	44	12	8	6
747-01-0060-CC-D-EE		2	60,5	60,5	59,0 - 62,0	76,5	42,7	80	44	12	8	6
747-01-0063-CC-D-EE			63,0	63,0	62,0 - 65,0	79,0	42,7	80	44	12	8	6
747-01-0066-CC-D-EE	65		66,7	66,8	65,4 - 69,0	82,7	37,3	80	44	12	8	6
747-01-0069-CC-D-EE			69,0	69,0	68,5 - 72,0	85,0	37,3	80	44	12	8	6
747-01-0073-CC-D-EE			73,0	73,0	72,5 - 76,5	89,0	37,3	80	44	12	8	6
747-01-0076-CC-D-EE		2 1/2	76,3	75,0	75,0 - 79,0	92,3	37,3	80	44	12	8	6
747-01-0079-CC-D-EE	80		79,9	79,9	78,8 - 83,0	99,9	37,3	110	59	15	8	6
747-01-0084-CC-D-EE			84,0	84,0	82,5 - 86,0	104,0	37,3	110	59	15	8	6
747-01-0089-CC-D-EE		3	89,1	90,0	88,0 - 92,0	109,1	37,3	110	59	15	12	10
747-01-0101-CC-D-EE	90		101,6	101,6	100,0 - 104,0	121,6	37,3	110	59	15	12	10
747-01-0104-CC-D-EE	100		104,0	104,0	102,0 - 106,0	124,0	37,3	110	59	15	12	10
747-01-0106-CC-D-EE			106,3	106,3	105,0 - 108,5	126,3	37,3	110	59	15	12	10
747-01-0108-CC-D-EE			108,0	108,0	106,0 - 110,0	128,0	37,3	110	59	15	12	10
747-01-0114-CC-D-EE		4	114,3	114,3	113,0 - 118,0	134,3	37,3	110	59	15	12	10
747-01-0127-CC-D-EE	125		127,0	127,0	125,0 - 129,5	148,5	37,3	111	59	25	12	10
747-01-0129-CC-D-EE			129,0	129,0	127,5 - 131,0	150,5	37,3	111	59	25	12	10
747-01-0133-CC-D-EE			133,0	131,7	131,0 - 135,5	154,5	37,3	111	59	25	12	10
747-01-0139-CC-D-EE		5	139,8	139,7	138,0 - 142,5	161,3	37,3	111	59	25	12	10
747-01-0141-CC-D-EE			141,3	140,0	139,5 - 144,0	162,8	37,3	111	59	25	12	10
747-01-0154-CC-D-EE	150		154,0	154,0	151,5 - 156,0	175,5	32,0	111	59	25	12	10
747-01-0159-CC-D-EE			159,0	160,0	156,0 - 161,0	180,5	32,0	111	59	25	12	10
747-01-0165-CC-D-EE		6	165,2	165,2	164,0 - 168,5	186,7	32,0	111	59	25	12	10
747-01-0168-CC-D-EE			168,3	168,3	166,0 - 170,5	189,8	32,0	111	59	25	12	10
747-01-0180-CC-D-EE	175		180,0	180,0	178,0 - 183,0	201,5	26,7	111	59	30	12	10
747-01-0200-CC-D-EE	200		200,0	200,0	198,0 - 203,5	225,5	21,3	150	89	45	14	12
747-01-0204-CC-D-EE			204,0	204,0	202,0 - 206,5	229,5	21,3	150	89	45	14	12
747-01-0216-CC-D-EE		8	216,3	216,3	214,0 - 219,0	241,8	21,3	150	89	45	14	12
747-01-0219-CC-D-EE			219,1	219,0	216,5 - 222,0	244,6	21,3	150	89	45	14	12
747-01-0254-CC-D-EE	250		254,0	254,0	251,0 - 257,0	279,5	21,3	150	89	45	14	12
747-01-0267-CC-D-EE		10	267,4	267,0	262,0 - 270,0	292,9	21,3	150	89	45	14	12
747-01-0273-CC-D-EE			273,1	273,0	270,0 - 277,0	298,6	21,3	150	89	45	14	12
747-01-0304-CC-D-EE	300		304,0	304,0	301,5 - 309,0	329,5	18,7	150	89	75	14	12
747-01-0318-CC-D-EE		12	318,5	318,5	316,0 - 323,0	344,0	18,7	150	89	75	14	12
747-01-0323-CC-D-EE			323,9	323,9	322,0 - 329,0	349,4	18,7	150	89	75	14	12
747-01-0355-CC-D-EE	350	14	355,6	355,0	352,0 - 361,0	381,1	18,7	150	89	75	14	12
747-01-0406-CC-D-EE	400	16	406,4	406,4	402,0 - 411,0	431,9	16,0	150	89	75	14	12
747-01-0457-CC-D-EE	450	18	457,2	457,2	453,0 - 462,0	482,7	16,0	150	89	90	14	12
747-01-0508-CC-D-EE	500	20	508,0	508,0	504,0 - 513,0	533,5	13,3	150	89	90	14	12
747-01-0558-CC-D-EE	550	22	558,8	559,0	554,0 - 564,0	584,3	12,3	150	89	90	14	12
747-01-0609-CC-D-EE	600	24	609,6	610,0	605,0 - 615,0	635,1	11,2	150	89	90	14	12
747-01-0660-CC-D-EE	650	26	660,4	660,0	654,0 - 666,0	685,9	10,7	150	89	90	14	12
747-01-0711-CC-D-EE	700	28	711,2	711,0	705,0 - 717,0	736,7	9,9	150	89	90	14	12
747-01-0762-CC-D-EE	750	30	762,0	762,0	756,0 - 768,0	787,5	9,6	150	89	90	14	12
747-01-0812-CC-D-EE	800	32	812,8	813,0	806,0 - 818,0	838,3	9,1	150	89	90	14	12
747-01-0863-CC-D-EE	850	34	863,6	864,0	857,0 - 869,0	889,1	8,5	150	89	90	14	12
747-01-0914-CC-D-EE	900	36	914,4	914,0	908,0 - 920,0	939,9	8,0	150	89	90	14	12
747-01-1016-CC-D-EE	1000	40	1016,0	1016,0	1010,0 - 1022,0	1041,5	7,2	150	89	90	14	12

Note: the above tables are guides to the most common sizes. Couplings to suit specific diameters not listed may be manufactured to order. Please contact our sales department for further details. Figures are based on typical values for standard wall carbon steel pipe. For use on thin or soft pipe materials such as thin wall stainless, copper alloy or plastic (by way of example only) please check with us first.

REPICO®RE

REPAIR COUPLING FOR ELBOWS

For all pipes, stainless steel 316L



1	Body	Stainless steel 316L
2	Slide plate	Stainless steel 316L
3	Bolt	Stainless steel A4, PTFE coated

4	Bar nut	Stainless steel 316
5	Bar washer	Stainless steel 316
6	Sealing	EPDM, NBR, Silicone or FKM

Components may be substituted with equivalent or higher-class materials without prior notification.



Remarks:

- Follow the fitting/disassembly instructions
- Working pressure for industrial and land bases applications: minimum burst pressure is 1,5 x PN

Article number	Pipe DN	Nom. Diam.	Pipe OD		Coupling range (mm)	D (mm)	Working pressure (bar)	Length		Torque	Thread	Allen head
			DIN/ISO	Other				L12 (mm)	L10 (mm)			
			mm	mm			Industry SF1,5					
747-71-0015-CC-D-EE	13		15,8	15,8	15,3 - 17,0	34,0	53,3	27	8	7	6	5
747-71-0020-CC-D-EE	15		20,0	20,0	19,5 - 21,3	38,0	46,7	27	10	7	6	5
747-71-0021-CC-D-EE		1/2	21,7	21,7	21,0 - 23,0	39,0	46,7	27	10	7	6	5
747-71-0025-CC-D-EE	20		25,0	25,0	24,0 - 26,5	43,0	46,7	27	10	7	6	5
747-71-0027-CC-D-EE		3/4	27,2	26,7	26,0 - 28,5	45,0	46,7	27	10	7	6	5
747-71-0028-CC-D-EE			28,2	28,2	26,4 - 29,5	46,0	46,7	27	10	7	6	5
747-71-0030-CC-D-EE	25		30,0	30,0	29,0 - 31,5	48,0	46,7	27	10	7	6	5
747-71-0032-CC-D-EE			32,0	32,0	31,0 - 33,5	50,0	46,7	27	10	7	6	5
747-71-0034-CC-D-EE		1	34,0	33,7	33,0 - 35,5	52,0	46,7	27	10	7	6	5
747-71-0038-CC-D-EE	32		38,0	38,0	37,0 - 39,5	56,0	46,7	27	10	7	6	5
747-71-0040-CC-D-EE			40,0	40,0	39,5 - 41,8	58,0	46,7	27	10	7	6	5
747-71-0042-CC-D-EE		1 1/4	42,7	42,7	42,0 - 44,5	61,0	46,7	27	10	7	6	5
747-71-0044-CC-D-EE			44,5	44,5	44,0 - 46,5	62,5	46,7	27	10	7	6	5
747-71-0048-CC-D-EE	40	1 1/2	48,6	48,6	47,5 - 50,5	66,0	40,0	27	10	7	6	5
747-71-0050-CC-D-EE			50,8	50,0	49,2 - 51,5	68,8	40,0	27	10	7	6	5
747-71-0054-CC-D-EE	50		54,0	54,0	53,0 - 56,0	78,6	40,0	40	18	15	8	6
747-71-0057-CC-D-EE			57,0	57,0	56,0 - 59,0	81,6	40,0	40	18	15	8	6
747-71-0060-CC-D-EE		2	60,5	60,5	59,0 - 62,0	85,0	40,0	40	18	15	8	6
747-71-0063-CC-D-EE			63,0	63,0	62,0 - 65,0	87,6	40,0	40	18	15	8	6
747-71-0066-CC-D-EE	65		66,7	66,8	65,4 - 69,0	91,3	40,0	40	18	15	8	6
747-71-0069-CC-D-EE			69,0	69,0	68,5 - 72,0	93,6	40,0	40	18	15	8	6
747-71-0073-CC-D-EE			73,0	73,0	72,5 - 76,5	97,6	40,0	40	18	15	8	6
747-71-0076-CC-D-EE		2 1/2	76,3	75,0	75,0 - 79,0	101,0	40,0	40	18	15	8	6
747-71-0079-CC-D-EE	80		79,9	79,9	78,8 - 83,0	103,9	40,0	60	29	28	12	10
747-71-0084-CC-D-EE			84,0	84,0	82,5 - 86,0	108,0	40,0	60	29	28	12	10
747-71-0089-CC-D-EE		3	89,1	90,0	88,0 - 92,0	113,1	40,0	60	29	28	12	10
747-71-0101-CC-D-EE	90		101,6	101,6	100,0 - 104,0	125,6	40,0	60	29	28	12	10
747-71-0104-CC-D-EE	100		104,0	104,0	102,0 - 106,0	128,0	33,3	60	29	28	12	10
747-71-0106-CC-D-EE			106,3	106,3	105,0 - 108,5	130,3	33,3	60	29	28	12	10
747-71-0108-CC-D-EE			108,0	108,0	106,0 - 110,0	132,0	33,3	60	29	28	12	10
747-71-0114-CC-D-EE		4	114,3	114,3	113,0 - 118,0	138,3	33,3	60	29	28	12	10
747-71-0127-CC-D-EE	125		127,0	127,0	125,0 - 129,5	151,0	24,0	60	29	28	12	10
747-71-0129-CC-D-EE			129,0	129,0	127,5 - 131,0	153,0	24,0	60	29	28	12	10
747-71-0133-CC-D-EE			133,0	131,7	131,0 - 135,5	157,0	24,0	60	29	28	12	10
747-71-0139-CC-D-EE		5	139,8	139,7	138,0 - 142,5	163,8	24,0	60	29	28	12	10
747-71-0141-CC-D-EE			141,3	140,0	139,5 - 144,0	165,3	24,0	60	29	28	12	10
747-71-0154-CC-D-EE	150		154,0	154,0	151,5 - 156,0	178,0	24,0	60	29	28	12	10
747-71-0159-CC-D-EE			159,0	160,0	156,0 - 161,0	183,0	24,0	60	29	28	12	10
747-71-0165-CC-D-EE		6	165,2	165,2	164,0 - 168,5	189,2	24,0	60	29	28	12	10
747-71-0168-CC-D-EE			168,3	168,3	166,0 - 170,5	192,3	24,0	60	29	28	12	10
747-71-0180-CC-D-EE	175		180,0	180,0	178,0 - 183,0	204,0	21,3	60	29	28	12	10
747-71-0200-CC-D-EE	200		200,0	200,0	198,0 - 203,5	225,0	21,3	61	29	40	12	10
747-71-0204-CC-D-EE			204,0	204,0	202,0 - 206,5	229,0	21,3	61	29	40	12	10
747-71-0216-CC-D-EE		8	216,3	216,3	214,0 - 219,0	241,3	21,3	61	29	40	12	10
747-71-0219-CC-D-EE			219,1	219,0	216,5 - 222,0	244,1	21,3	61	29	40	12	10
747-71-0254-CC-D-EE	250		254,0	254,0	251,0 - 257,0	279,0	21,3	61	29	40	12	10
747-71-0267-CC-D-EE		10	267,4	267,0	262,0 - 270,0	292,4	21,3	61	29	40	12	10
747-71-0273-CC-D-EE			273,1	273,0	270,0 - 277,0	298,1	21,3	61	29	40	12	10
747-71-0304-CC-D-EE	300		304,0	304,0	301,5 - 309,0	329,0	17,3	61	29	40	12	10
747-71-0318-CC-D-EE		12	318,5	318,5	316,0 - 323,0	343,5	17,3	61	29	40	12	10
747-71-0323-CC-D-EE			323,9	323,9	322,0 - 329,0	348,9	17,3	61	29	40	12	10
747-71-0355-CC-D-EE	350	14	355,6	355,0	352,0 - 361,0	380,6	16,0	61	29	40	12	10
747-71-0406-CC-D-EE	400	16	406,4	406,4	402,0 - 411,0	431,4	14,7	61	29	40	12	10
747-71-0457-CC-D-EE	450	18	457,2	457,2	453,0 - 462,0	482,2	13,3	61	29	40	12	10
747-71-0508-CC-D-EE	500	20	508,0	508,0	504,0 - 513,0	533,0	12,0	61	29	40	12	10

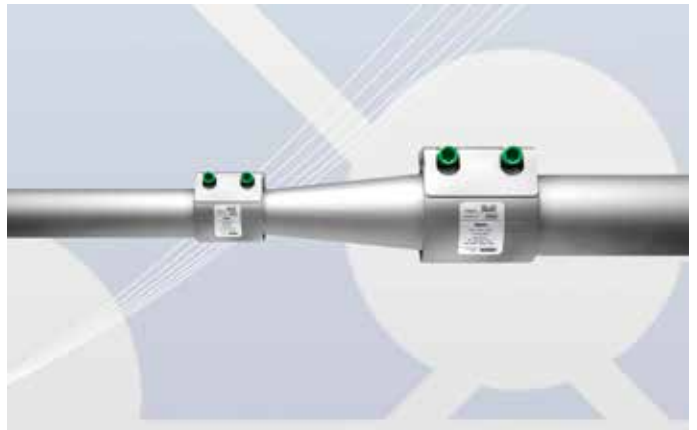
Note: the above tables are guides to the most common sizes. Couplings to suit specific diameters not listed may be manufactured to order. Please contact our sales department for further details. Figures are based on typical values for standard wall carbon steel pipe. For use on thin or soft pipe materials such as thin wall stainless, copper alloy or plastic (by way of example only) please check with us first.

REPICO® - ENGINEERED PRODUCTS

AVK is offering you a simple, quick and low-cost installation option with the standard Repico® product line. Besides the standard products we also offer our customers engineered solutions to support you in solving installation problems and providing ready to install solutions.

Reducer / Expander

If you need to connect two pipes with a large difference in outside diameters, the Repico® reducer will solve your problem.



Flange Adapter

A quick solution, especially for the installation of valves and pumps, that also absorbs vibrations and noise.

Dismantling joint

Instead of removing large pipe sections, the dismantling joint creates space and easy access to valves, pumps and other large equipment.



For more information about the Repico® Engineered products, please contact our sales department for further details and assistance.

REPICO® - ACCESSORIES

Inserts

AVK recommends usage of an insert in the PE pipe when using a Repico® coupling. AVK inserts are made of stainless steel AISI 304 and are available for all SDR sizes. The insert is available in a wedge type or scandic type and are pickled and passivated to prevent corrosion.



Wedge type



Scandic type

Insert ring

The strip insert protects the sealing sleeve from increased mechanical and chemical loads. It also prevents the sealing sleeve from moisture expansion and allows larger gaps between the pipe ends to be connected. Furthermore, it allows larger angular deflections and misalignment. With the strip insert the couplings can also be used for both vacuum and high pressure applications without any problems.



Insert ring

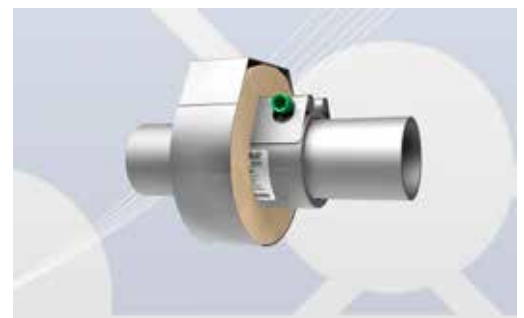


Torque wrench

For a successful installation of Repico® (repair) couplings a torque wrench is required.

REPICO®FRC – Fire resistant cover

- For fire protection applications up to max. +800°C for 30 minutes
- Installation can be done afterwards
- In case of fire the protected coupling retains its functionality
- No chemicals in protection rubber materials
- Easy assembling and low weight
- For the complete Repico® (repair) couplings range
- Tested in accordance with ISO_19921 and ISO_19922



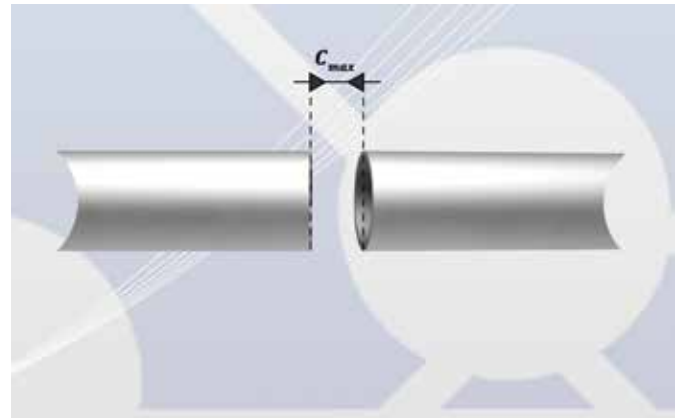
For more information about the Repico® accessories, please contact our sales department for further details and assistance.

INSTALLATION CONDITIONS

Repico® couplings offer flexibility during the installation process, where external elements are not always optimal. Below mentioned general installation guidelines should be considered.

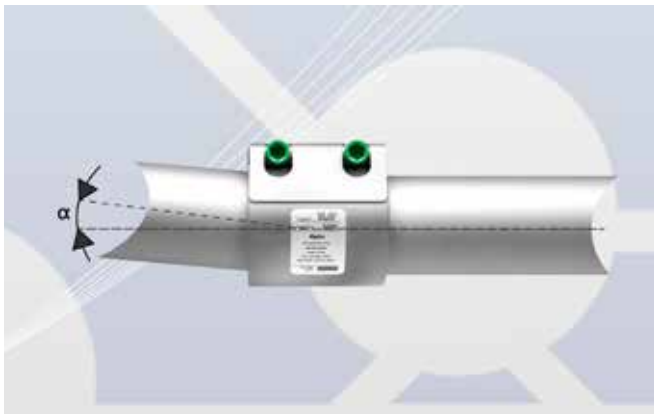
Distance between pipe ends

C_{max}	
DN15 - DN65 mm	0 - 8mm
> DN80 mm	0 - 15mm



Angular deflection (α)

Repico® couplings allow all around angular deflection to the pipe axis. The angular deflection depends on the nominal diameter of pipe.



Size	Angular deflection (α)
DN 15 - DN 50	5°
DN 65 - DN 175	4°
≥ DN 200	2°

Lateral displacement

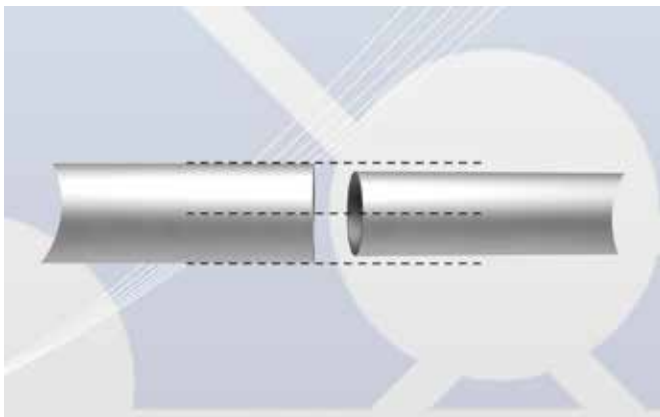
By using the angular deflection, it is possible to absorb expected/possible displacement of the pipe. This will avoid future repair cost and possible downtime.



INSTALLATION CONDITIONS

Axial misalignment

Repico® couplings allow an axial misalignment: 1% of the outside diameter (OD) with a maximum of 3 mm.



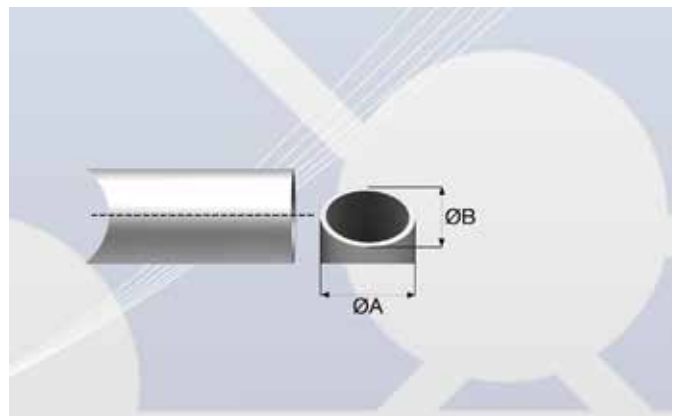
Allowable outside diameter difference

Repico® couplings compensate pipes with different outside diameter, whereby the following requirement must be fulfilled: 1% of the outside diameter (OD) with a maximum of 3 mm.

Pipe ovality

Repico® couplings are flexible enough to accommodate some degree of ovality of the pipes during installation.

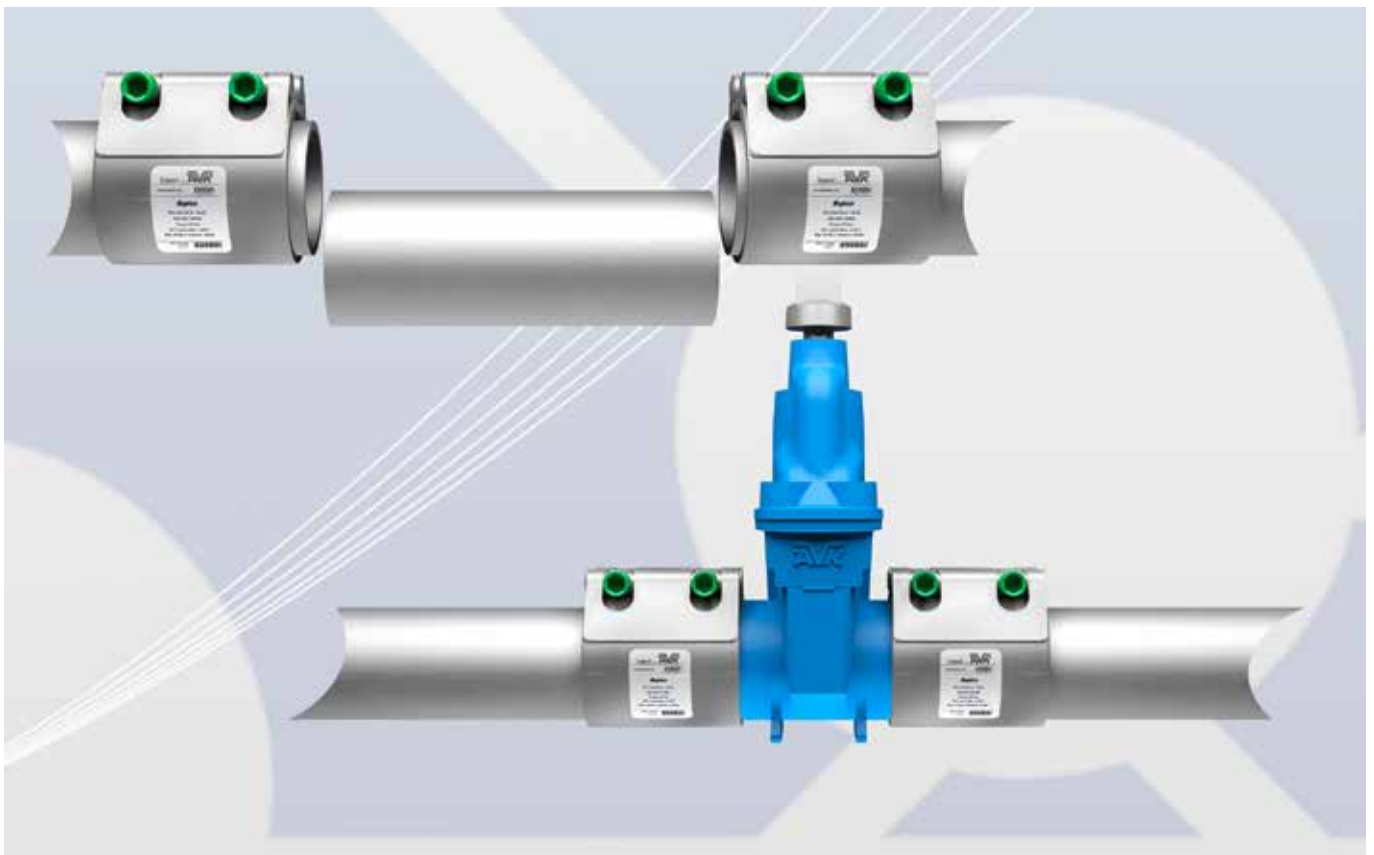
$$\varnothing A > \varnothing B : \leq 2\% \text{ (max. 5 mm)}$$



INSTALLATION CONDITIONS

Replacing a pipe section or adding fittings or valves

If a pipe section needs to be replaced, a branch installed, or a valve added Repico® couplings will allow you to do this quickly and at the lowest possible costs.



Repico® couplings do not absorb torsion forces or bending. Pressure lines must be supported, anchored and guided.

TABLES - PIPE SIZES

Pipe DN	Pipe OD											Coupling range (mm)
	Nom. Diam.	Repico size	DIN/ISO (mm)	ASTM (mm)	ASTM inch	KS/JIS (mm)	CuNi metric (mm)	CuNi imperial (mm)	Not all standardised (mm)	Some stand-ardised (mm)	PE (mm)	
15		20,0			0,8		20,0		20,0		20,0	19,5 - 20,5
15	1/2	21,7	21,3	21,3	0,8	21,7		21,3		22,0		21,2 - 22,2
20		25,0			1,0		25,0		25,0	25,4	25,0	24,5 - 25,5
20	3/4	27,2	26,9	26,9	1,1	27,2		26,7				26,7 - 27,7
20		28,2			1,1							27,5 - 29,0
25		30,0			1,2		30,0			30,0		29,5 - 30,5
25		32,0			1,3				31,8		32,0	31,5 - 32,5
25	1	34,0	33,7	33,4	1,3	34,0		33,4				33,0 - 34,6
32		38,0			1,5		38,0		38,0			37,5 - 38,5
32		40,0			1,6			40,9	40,0		40,0	39,5 - 41,5
32	1 1/4	42,7	42,4	42,4	1,7	42,7		42,2				41,9 - 43,0
32		44,5			1,8		44,5			44,5		44,0 - 45,0
40	1 1/2	48,6	48,3	48,3	1,9	48,6		48,3				47,8 - 49,0
40		50,8			2,0				51,0		50,0	49,5 - 51,5
50		54,0			2,1			54,1		54,0		53,4 - 54,6
50		57,0			2,2		57,0		57,0			56,4 - 57,6
50	2	60,5	60,3	60,3	2,4	60,5		60,3				59,0 - 61,5
50		63,0			2,5				63,5		63,0	62,4 - 63,6
65		66,7			2,6			66,8				65,2 - 67,3
65		69,0			2,7			70,0	70,0			68,0 - 70,1
65	2 1/2	73,0		73,0	2,9			73,0				71,5 - 74,1
65		76,3	76,1		3,0	76,3	76,1		76,1		75,0	75,0 - 77,2
80		79,9			3,1			79,9				78,8 - 80,8
80		84,0			3,3				84,0			83,0 - 84,9
80	3	89,1	88,9	88,9	3,5	89,1	88,9	88,9	88,9		90,0	87,8 - 91,0
90		101,6	101,6	101,6	4,0	101,6		101,6				100,4 - 102,6
100		104,0			4,1							103,0 - 104,8
100		106,3			4,2			106,3				105,0 - 107,4
100		108,0			4,3		108,0					106,5 - 108,5
100		110,0			4,3		108,0				110,0	108,5 - 110,6
100	4	114,3	114,3	114,3	4,5	114,3		114,3	114,3			113,2 - 115,4
125		127,0			5,0				127,0			125,6 - 128,4
125		129,0			5,1							127,5 - 130,0
125		133,0			5,2		133,0	131,7	133,0			131,6 - 134,4
125	5	139,8	139,7		5,6	139,8			139,7			137,7 - 140,9
125		141,3		141,3	5,6			141,3			140,0	139,7 - 142,5
150		154,0			6,1					152,4		151,5 - 155,0
150		159,0			6,3		159,0	157,7			160,0	156,5 - 160,0
150	6	165,2			6,6	165,2						163,3 - 166,7
150		168,3	168,3	168,3	6,6			168,3	168,3			166,6 - 170,0
175		180,0			7,1						180,0	178,0 - 182,0
200		200,0			7,9						200,0	198,2 - 201,5
200		204,0			8,0							202,7 - 206,7
200	8	216,3			8,6	216,3						214,5 - 218,3
200		219,1	219,1	219,1	8,6		219,1	219,1	219,0			217,0 - 221,0
250		250,0			9,8							247,4 - 252,6
250		254,0			10,0							251,4 - 256,6
250	10	267,4			10,8	267,4	267,0					264,8 - 270,0
250		273,1	273,0	273,1	10,8			273,1	273,0			270,4 - 275,6
300		304,0			12,0							301,5 - 306,6
300		315,0			12,4							313,0 - 319,0
300	12	318,5			12,5	318,5						316,0 - 322,0
300		323,9	323,9	323,9	12,8		323,9	323,9	323,9			321,0 - 327,4
350	14	355,6	355,6	355,6	14,0	355,6					355,0	352,0 - 360,0
400	16	406,4	406,4	406,4	16,0	406,4						402,0 - 410,0
400		400,0									400,0	396,0 - 404,0
450		457,2	457,0									453,0 - 460,0
500	20	500,0									500,0	496,0 - 504,0
500		508,0	508,0	508,0	20,0	508,0	508,0					504,0 - 512,0
550	22	558,8		559,0				558,8		559,0	560,0	555,0 - 563,0
600	24	609,6	610,0	609,6	24,0		610,0					605,0 - 614,0
600		616,0							616,0			612,0 - 621,0
650	26	660,4		660,0						660,0		654,0 - 666,0
700	28	711,2	711,0	711,0			711,0				710,0	705,0 - 717,0
750	30	762,0		762,0	30,0			762,0	762,0			756,0 - 768,0
800	32	812,8	813,0	813,0			813,0					806,0 - 818,0
850	34	863,6		864,0						864,0		857,0 - 869,0
900	36	914,4	914,0	914,4	36,0		914,0					908,0 - 920,0
1000	40	1016,0	1016,0	1016,0				1016,0				1010,0 - 1022,0
1100	44	1117,6		1118,0								1111,0 - 1123,0
1200	48	1219,2	1220,0	1219,0								1213,0 - 1225,0
1300	52	1320,8										1316,0 - 1325,0
1350	54	1371,2										1365,0 - 1377,0
1400	56	1422,4	1420,0									1418,0 - 1427,0
1500	60	1524,0										1518,0 - 1530,0
1600	64	1625,6										1621,0 - 1631,0
1650	66	1676,4										1672,0 - 1682,0
1700	68	1727,2										1722,0 - 1732,0
1800	72	1828,8										1822,0 - 1834,0
1900	76	1930,4										1924,0 - 1936,0
2000	80	2032,0										2026,0 - 2038,0

TABLES - PIPE DIMENSIONS

AND MINIMUM WALL THICKNESS AT NOMINAL PRESSURE PN

Pipe OD		Nominal ø		Minimum pipe wall thickness			
Metric (mm)	Imperial (inch)	Metric (DN)	Imperial (nom)	Stainless steel		CuNi10Fe (DIN)/ CuNi10Mn1Fe (ISO)	
				Metric (mm)	Imperial (inch)	Metric (mm)	Imperial (inch)
26,9	1,059	20	¾	1,5	0,059	1,5	0,059
30,0	1,181			1,5	0,059	1,5	0,059
33,7	1,327	25		1,5	0,059	2,0	0,079
38,0	1,496			1,5	0,059	2,0	0,079
42,4	1,669	32	1¼	1,5	0,059	2,0	0,079
44,5	1,752			1,5	0,059	2,0	0,079
48,3	1,902	40	1½	1,5	0,059	2,0	0,079
54,0	2,126			1,5	0,059	2,0	0,079
57,0	2,244			1,5	0,059	2,0	0,079
60,3	2,374	50	2	1,5	0,059	2,0	0,079
66,6	2,622			2,0	0,079	2,0	0,079
70,0	2,756			2,0	0,079	2,0	0,079
73,0	2,874			2,0	0,079	2,0	0,079
76,1	(3.000)	65	2,5	2,0	0,079	2,0	0,079
79,5	3,130			2,0	0,079	2,0	0,079
84,0	3,307			2,0	0,079	2,0	0,079
88,9	3,500	80	3	2,0	0,079	2,0	0,079
100,6	3,961			2,0	0,079	2,3	0,091
101,6	(4.000)			2,0	0,079	2,3	0,091
104,0	4,094			2,0	0,079	2,3	0,091
104,8	4,126			2,0	0,079	2,3	0,091
108,0	4,252			2,0	0,079	2,3	0,091
114,3	4.500	100	4	2,0	0,079	2,3	0,091
127,0	5.000			2,6	0,102	3,0	0,118
129,0	5,079			2,6	0,102	3,0	0,118
130,2	5,126			2,6	0,102	3,0	0,118
131,0	5,157			3,0	0,118		
133,0	5,236			2,6	0,102	3,0	0,118
139,7	(5.500)			2,6	0,102	3,0	0,118
141,3	5.563	125	5	2,6	0,102	3,0	0,118
154,0	6.063			2,6	0,102	3,0	0,118
155,0	6,102			2,5	0,098		
159,0	6,260			2,6	0,102	3,0	0,118
168,3	6,626	150	6	2,6	0,102	3,5	0,138
193,7	7,626			3,0	0,118	3,5	0,138
206,0	8,110			3,0	0,118		
219,1	8,626	200	8	3,0	0,118	3,5	0,138
244,5	9.626			on request	on request	4,5	0,177
256,0	10.079			on request	on request		
267,0	10,512			on request	on request	4,5	0,177
273,0	10,748	250	10	on request	on request	5,0	0,197
306,0	12,047			on request	on request		
323,9	12,752	300	12	on request	on request	5,5	0,217
355,6	14,000	350	14	on request	on request	6,0	0,236
406,4	16,000	400	16	on request	on request	8,0	0,315
457,2	18,000	450	18	on request	on request	9,0	0,354
508,0	20.000	500	20	on request	on request	10,0	0,394
558,8	22.000	550	22	on request	on request	10,0	0,394
609,6	24.000	600	24	on request	on request	12,0	0,472

Thinner walls are possible at lower pressures; please contact us for more information.

TABLES - INSTALLATION TIME

Nominal Ø		Installation time per coupling Time (min)
Metric (dn)	Imperial (norm)	
20	3/4	2
25	1	2
32	1 1/4	2
40	1 1/2	2
50	2	3
65	2 1/2	4
80	3	4
100	4	5
125	5	6
150	6	7
200	8	9
225	9	10
250	10	10
300	12	12
350	14	12
400	16	12
450	18	12
500	20	12
550	22	12
600	24	12

The installation time includes:

- Marking half of the coupling width on both pipe ends
- Fitting the coupling over pipe ends and correct alignment
- Tightening the bolts with a torque wrench

LOGICAL NUMBER SERIES

Repico® couplings - serie 745

745-AA-BBBB-CC-D-EE-FF	
AA	Type
BBBB	Diameter
CC	Material
D	Rubber
EE	Grip
FF	Options

AA	-	Type
01	-	G
03	-	GMP
05	-	GF
10	-	GLP
11	-	GP
20	-	S
24	-	SF
28	-	SD
29	-	SDL
32	-	SDF
33	-	SDFL
36	-	ST
44	-	SQ
52	-	SG

CC	-	Material
11	-	AISI316L (standard)*

* other materials on request available

D	-	Rubber
1	-	EPDM*
2	-	NBR*

* other rubber materials on request available

EE	-	Grip
None / 00	-	No grip
01	-	Grip

FF	-	Options
None / 00	-	No options
02	-	FRC (Fire Resistant Cover)

Repico® repair couplings - serie 747

747-AA-BBBB-CC-D-EE	
AA	Type
BBBB	Diameter
CC	Materials
D	Rubber
EE	Options

AA	-	Type
01	-	RSD
02	-	RSDL
11	-	RSDF
12	-	RSDFL
71	-	RE
81	-	RH
82	-	RHL

CC	-	Material
11	-	AISI316L (standard)*

* other materials on request available

D	-	Rubber
1	-	EPDM*
2	-	NBR*

* other rubber materials on request available

EE	-	Options
None / 00	-	No options
02	-	FRC (Fire Resistant Cover)

AVK SUSTAINABILITY AND CORPORATE SOCIAL RESPONSIBILITY

Sustainability is a factor of vital importance for the AVK Group and we do our utmost to make a difference in this area. For AVK sustainability and sound economics go hand-in-hand. Reducing water loss actively helps to reduce electricity consumption and protects one of our most valuable resources, and it also saves money. In every part of the world there is a need for using the available resources in the most efficient way.



AVK solutions contribute to a sustainable future

When using AVK products you contribute to pure drinking water as well as safe and efficient wastewater treatment. The UN has 17 Sustainable Development Goals to lead the world in a more sustainable direction. Our solutions contribute to these goals by ensuring clean water and sanitation, by reducing water waste, electricity consumption and CO₂ emissions, and by turning wastewater into affordable and clean energy.

CSR performance ladder

Corporate social responsibility, circular procurement, development of our raw material passport, sustainable production, recyclability of raw materials, end products and packaging, sustainable energy, mobility and social return are part of our sustainable personnel policy. We take our social responsibility seriously and are proud that we have achieved (as one of only 38 companies in the Netherlands) the CSR Performance Ladder level 4 (the second highest level). Our aim is to create a better world around us together with our customers, suppliers, employees, and other stakeholders.

Production in the Netherlands

In our production facility AVK Rewag we benefit from modern production facilities and a safe and healthy working environment. We have achieved the ISO certifications 9001 (quality management) and ISO 14001 (environmental management). We are committed to reduce the consumption of electricity and water, with the added benefit of cost savings.

The contents of this brochure give general information. It is not intended to be a piping manual. Piping system design should only be undertaken by specialists or independent professionals.

Although we make reasonable efforts to update the information in our brochures, we make no representations warranties or guarantees, whether express or implied, that the content of this brochure is the most accurate, complete or up-to-date version and consequently to the fullest extent permitted by law, errors and omissions are excepted.

AVK Nederland BV

Radeweg 12, 8171 MD
Vaassen, Postbus 73
8170 AB Vaassen

T: +31 (0)578574490

E: info@avknederland.nl

www.avknederland.nl

11-2022

Copyright © AVK Group A/S 2022

Expect... 